

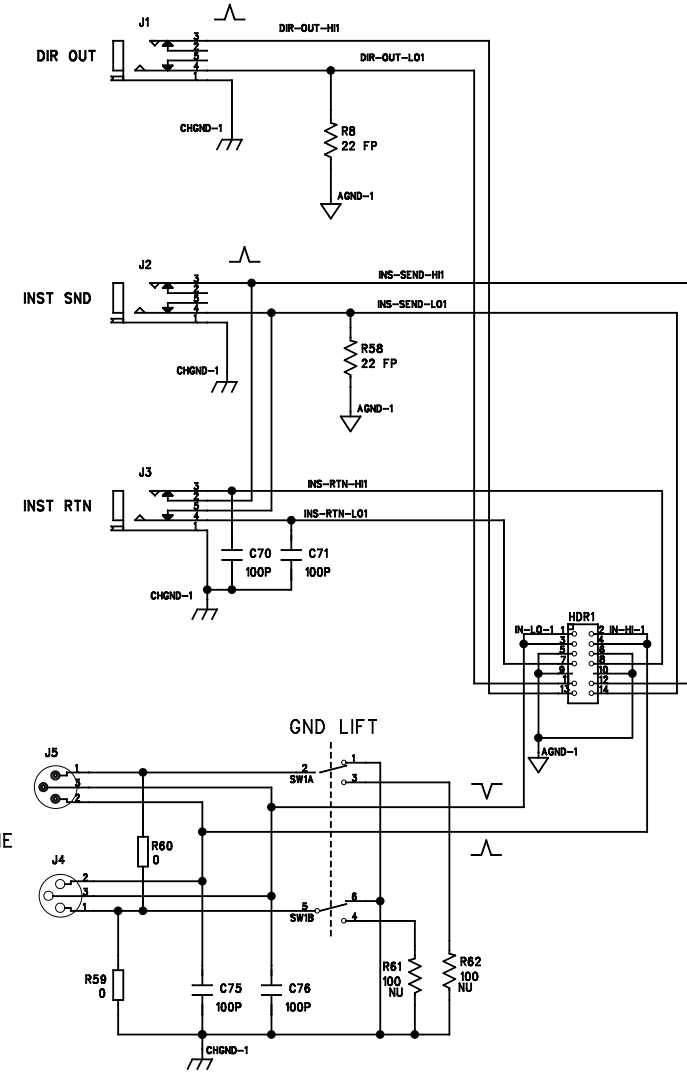
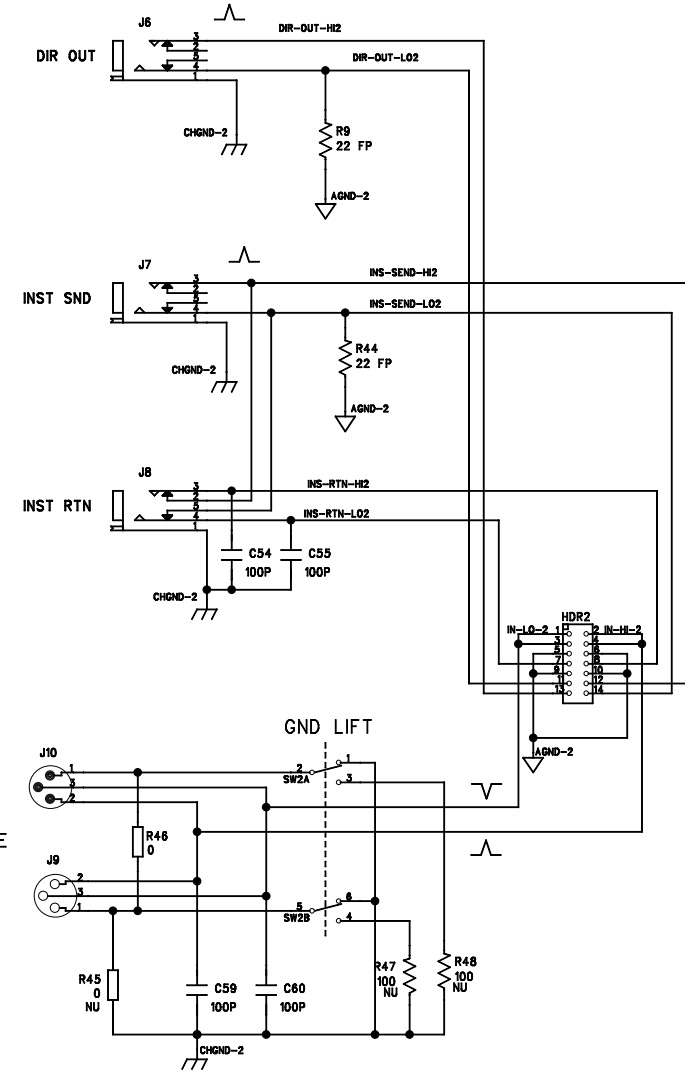
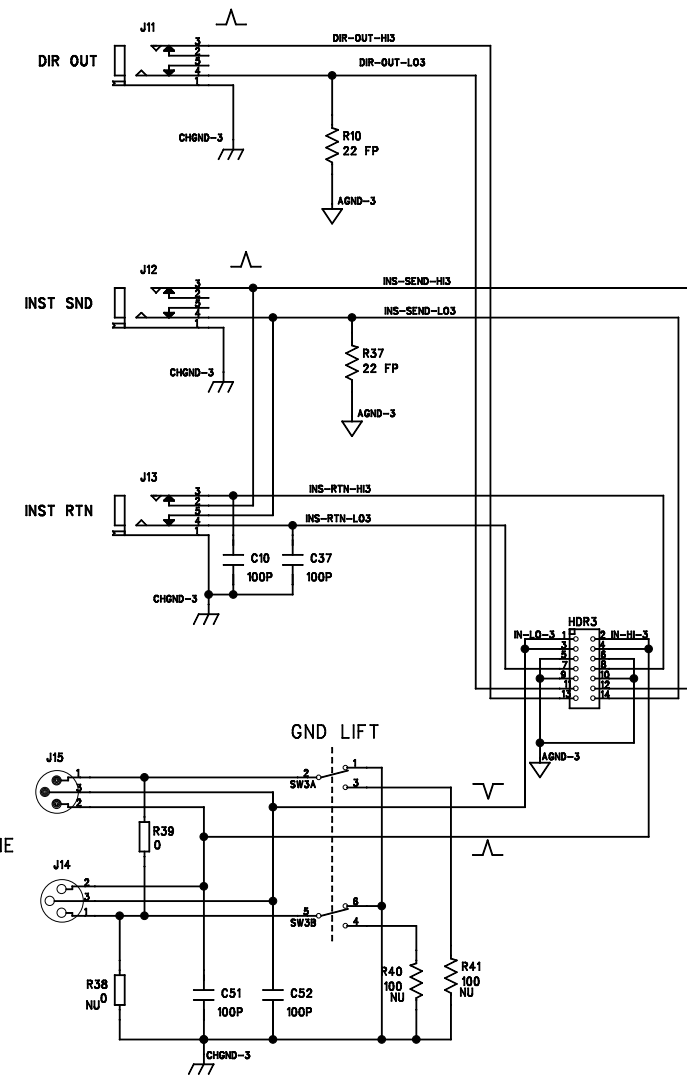
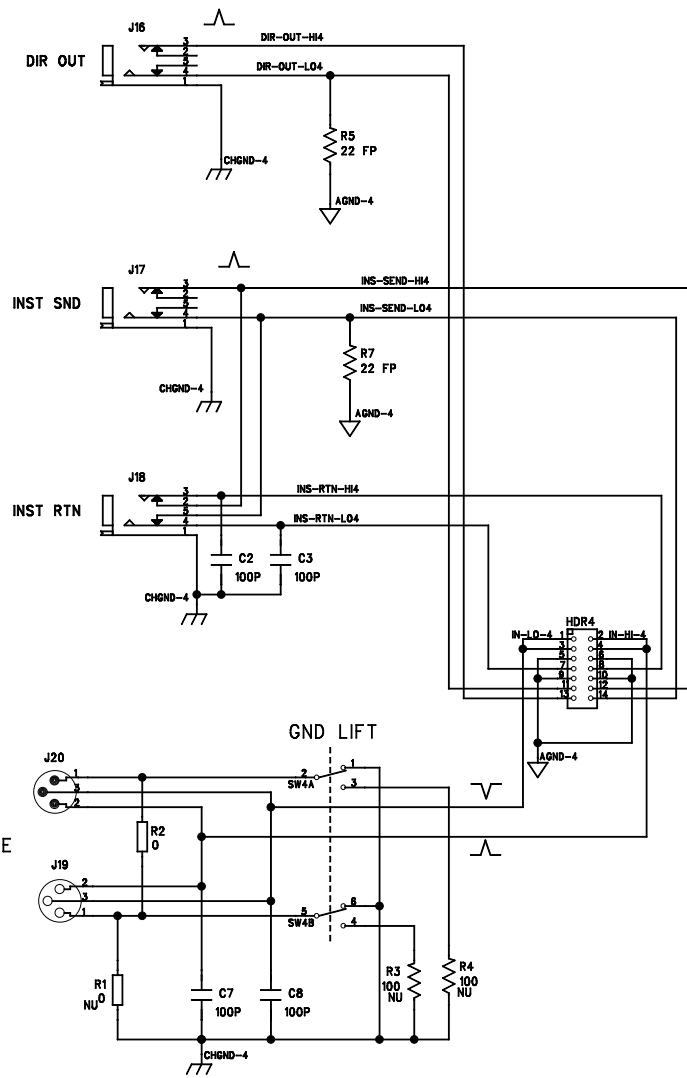
| REVISION RECORD | | | |
|-----------------|---------|-----------|-------|
| LTR | ECO NO. | APPROVED: | DATE: |
| | | | |
| | | | |
| | | | |

CHANNEL 4

CHANNEL 3

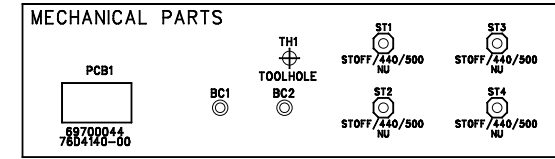
CHANNEL 2

CHANNEL 1



REVISION RECORD

| REV LEVEL | ASMBLY LEVEL | DATE | ECO | ENG. | DESCRIPTION |
|-----------|--------------|---------|--------|------|--|
| A | A | | | RI | PROTOTYPE RELEASE |
| B | A | 5/21/99 | DC0987 | TAZ | MOVE LOCATION OF SUPPORT PCB FIXING HOLES ST1 AND ST2 |
| B | B | 6/4/99 | DC0996 | TAZ | REMOVE R1, R38, R45, R59 FROM FSHIFT BOM (SHOULD NOT HAVE BEEN IMPORTED) |
| 00 | A | 6/30/99 | | TAZ | SILKSCREEN CHNAGED TO REFLECT REV00, NO COPPER CHANGE. |



COMPANY: **CREST AUDIO**

TITLE: **X-MONITOR INPUT CONNECTOR PCB**

ORG DRAWN: RI DATED: FEB 98

CHECKED: JP DATED: 13 JAN 99

CUR REV DRAWN: TAZ DATED: MAY 99

RELEASED: DATED:

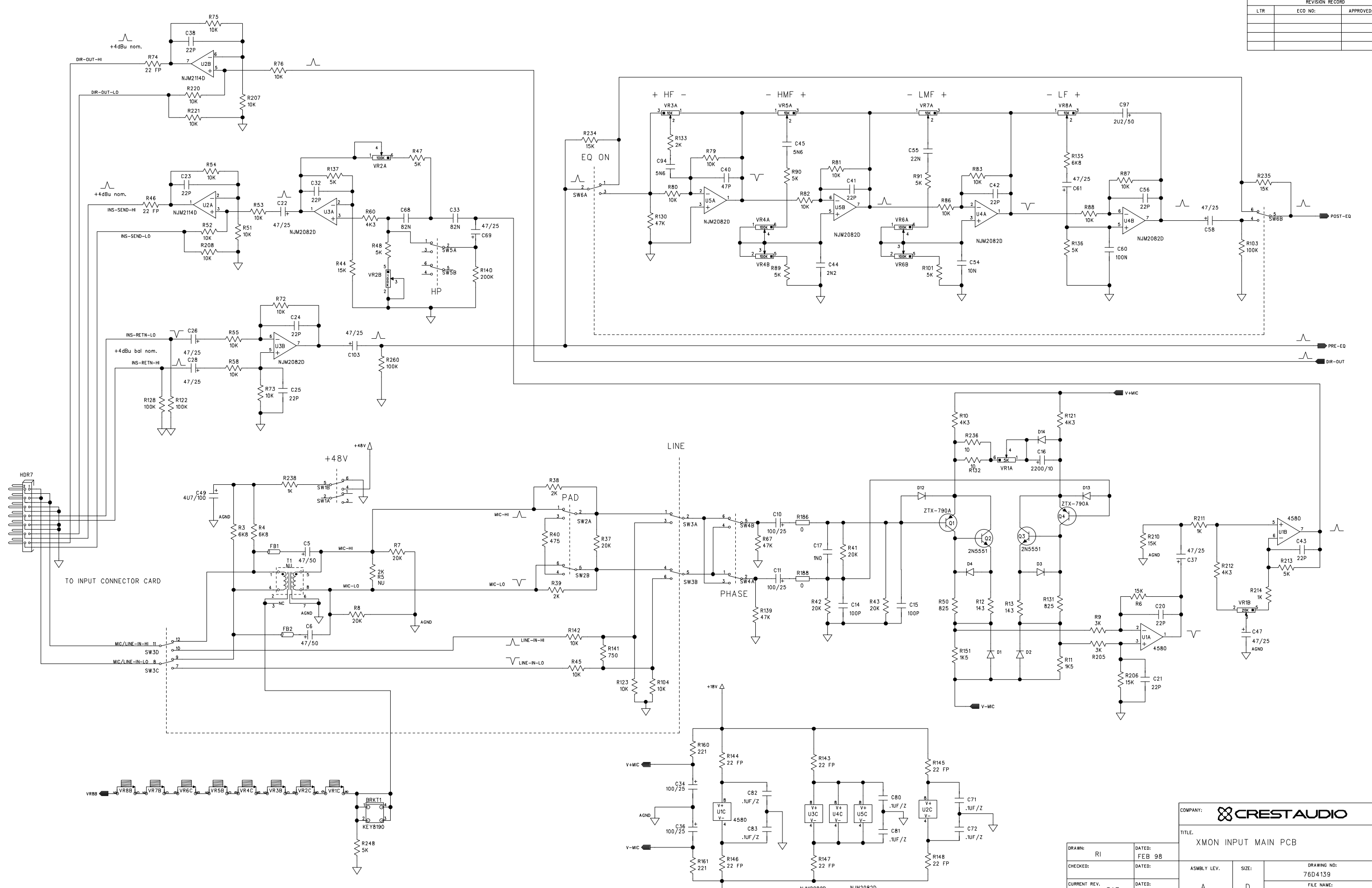
ASSEMBLY LEV: **A** SIZE: **D**

DRAWING NO: **76D4140** REV: **00**

FILE NAME: **XMINPCNO.SCH**

SCALE: SHEET: 1 OF 1

| REVISION RECORD | | | |
|-----------------|---------|-----------|-------|
| LTR | ECO NO: | APPROVED: | DATE: |
| | | | |
| | | | |
| | | | |



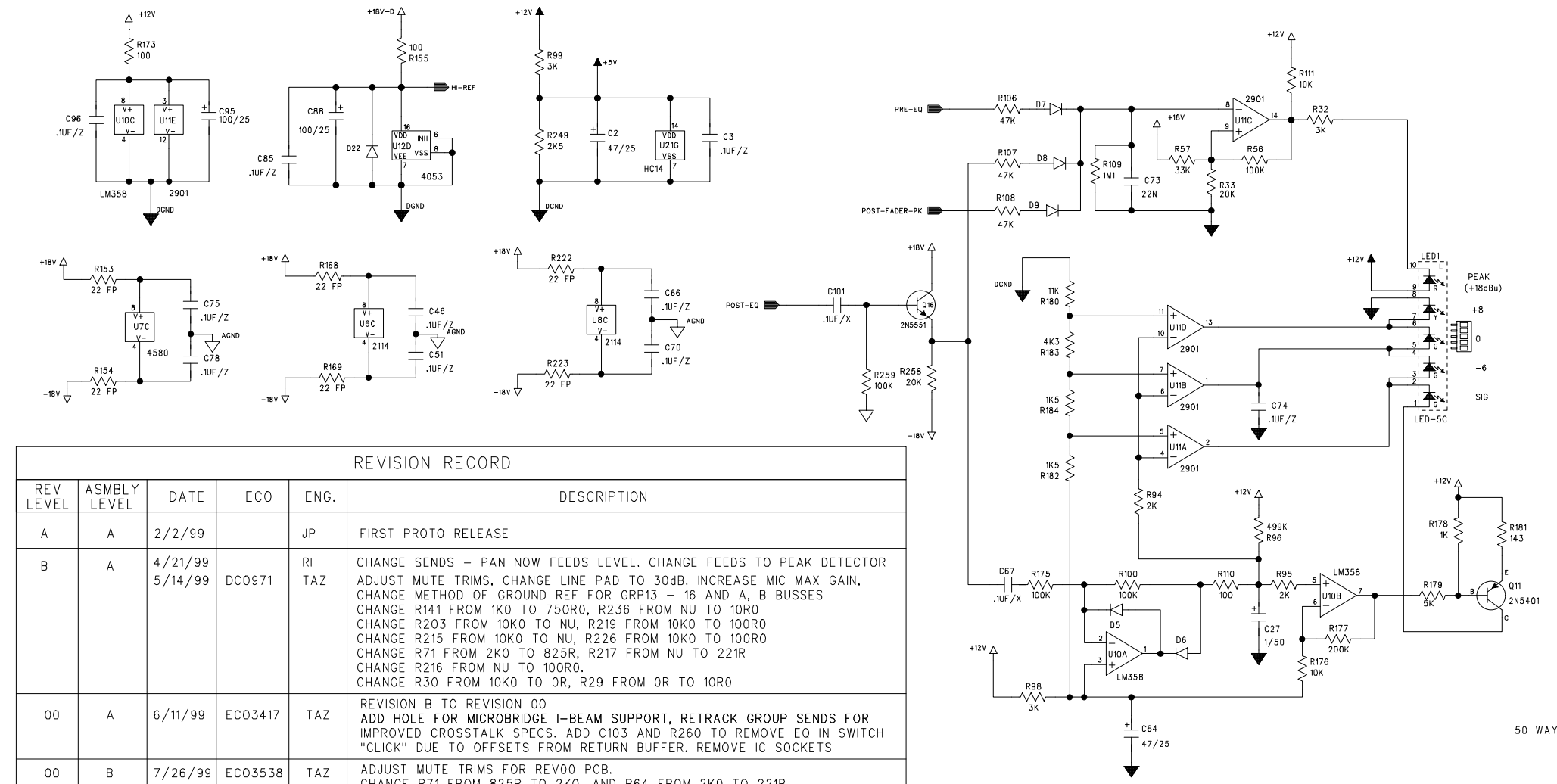
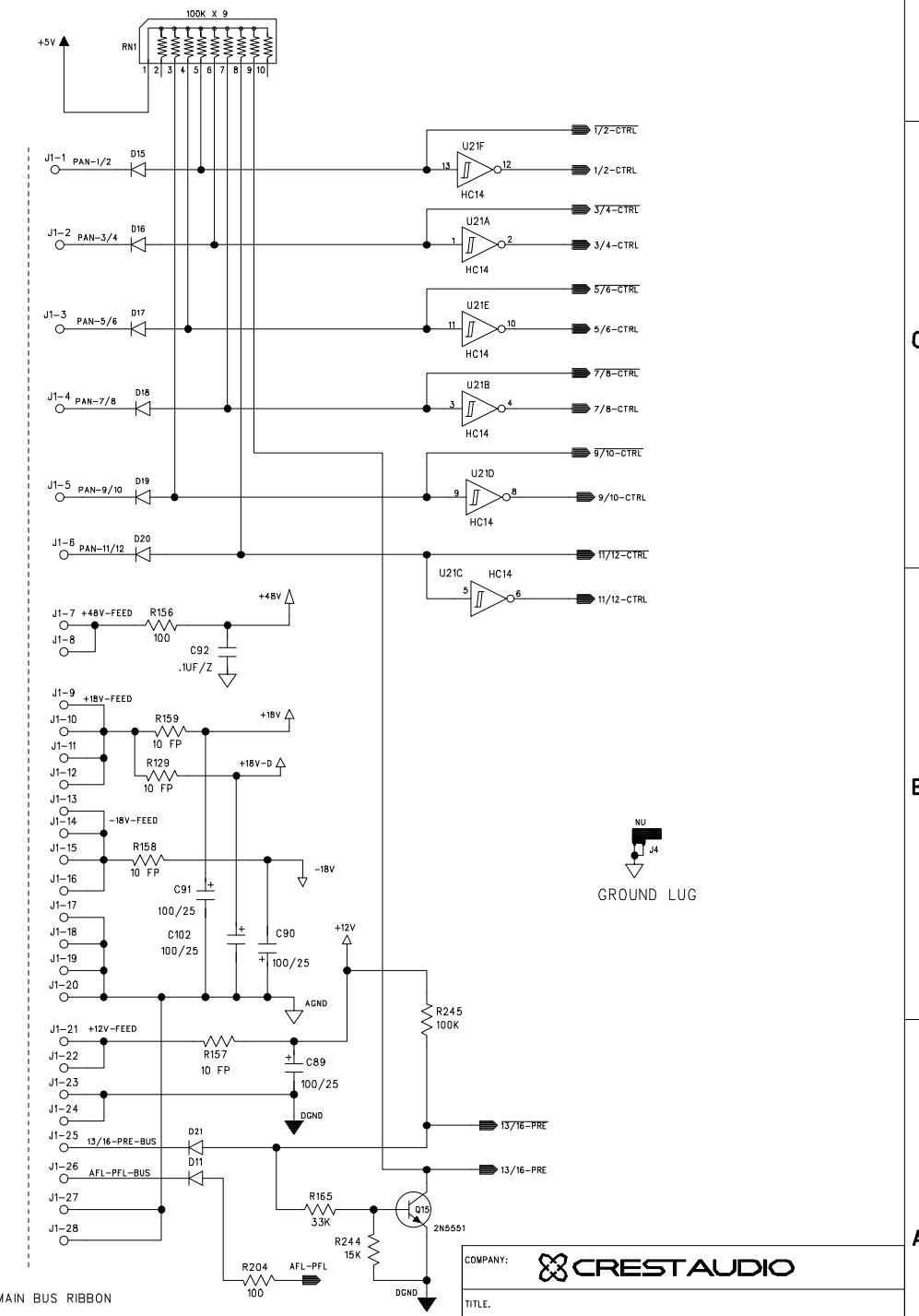
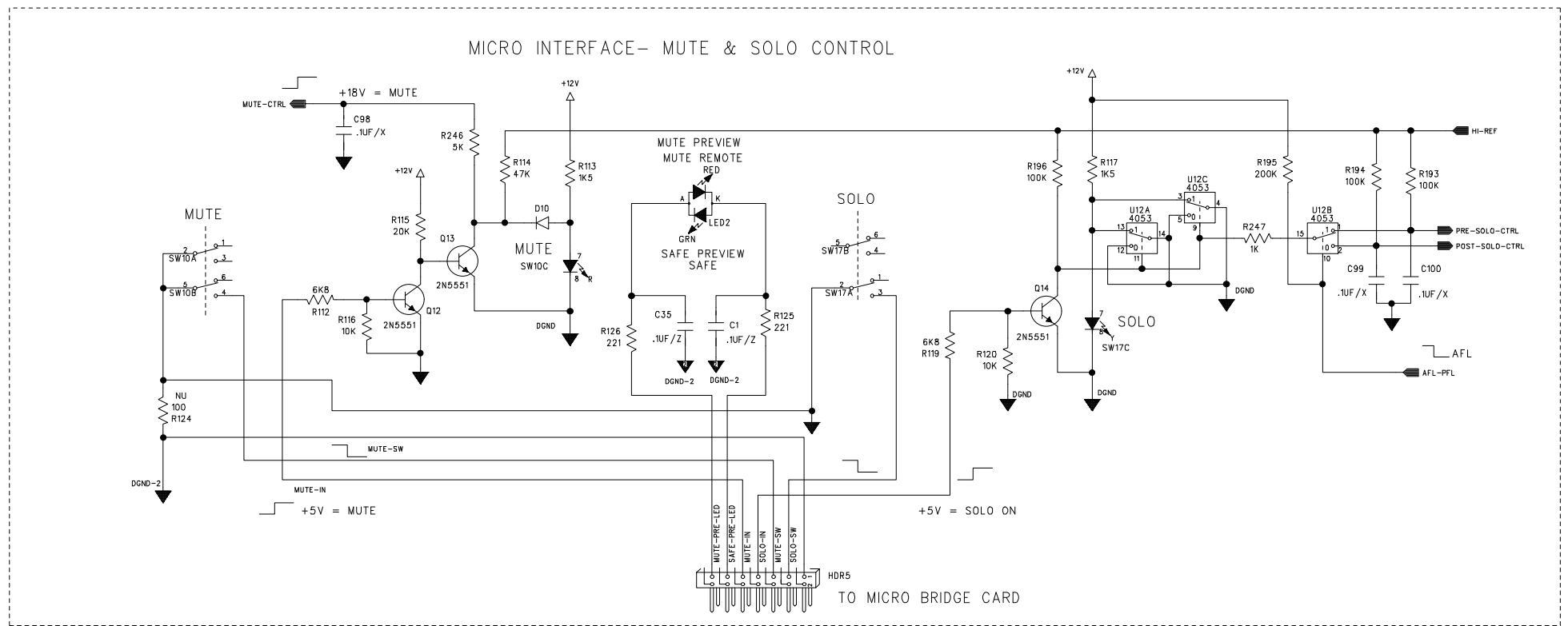
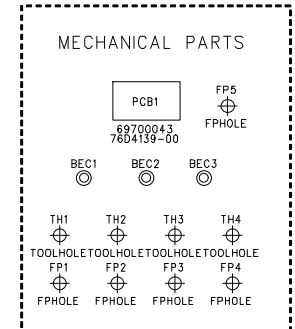
COMPANY: **CRESTAUDIO**

TITLE: **XMON INPUT MAIN PCB**

| | |
|------------------|----------------|
| DRAWN: R1 | DATED: FEB 98 |
| CHECKED: | DATED: |
| CURRENT REV. TAZ | DATED: 6/10/99 |
| RELEASED: | DATED: |

| | | | |
|-----------------|---------|-------------------------|---------------|
| ASSEMBLY LEV. A | SIZE: D | DRAWING NO: 76D4139 | REV: 0 |
| SCALE: | | FILE NAME: XMINPMNO.SCH | SHEET: 1 OF 3 |

| REVISION RECORD | | | |
|-----------------|---------|-----------|-------|
| LTR | ECO NO: | APPROVED: | DATE: |
| | | | |
| | | | |
| | | | |



| REVISION RECORD | | | | | |
|-----------------|--------------|--------------------|---------|-----------|--|
| REV LEVEL | ASMBLY LEVEL | DATE | ECO | ENG. | DESCRIPTION |
| A | A | 2/2/99 | | JP | FIRST PROTO RELEASE |
| B | A | 4/21/99 5/14/99 | DC0971 | RI TAZ | CHANGE SENDS - PAN NOW FEEDS LEVEL. CHANGE FEEDS TO PEAK DETECTOR ADJUST MUTE TRIMS, CHANGE LINE PAD TO 30dB. INCREASE MIC MAX GAIN, CHANGE METHOD OF GROUND REF FOR GRP13 - 16 AND A, B BUSES CHANGE R141 FROM 1K0 TO 750R0, R236 FROM NU TO 10R0 CHANGE R203 FROM 10K0 TO NU, R219 FROM 10K0 TO 100R0 CHANGE R215 FROM 10K0 TO NU, R226 FROM 10K0 TO 100R0 CHANGE R71 FROM 2K0 TO 825R, R217 FROM NU TO 221R CHANGE R216 FROM NU TO 100R0. CHANGE R30 FROM 10K0 TO 0R, R29 FROM 0R TO 10R0 |
| 00 | A | 6/11/99 | ECO3417 | TAZ | REVISION B TO REVISION 00 ADD HOLE FOR MICROBRIDGE I-BEAM SUPPORT, RETRACK GROUP SENDS FOR IMPROVED CROSSTALK SPECS. ADD C103 AND R260 TO REMOVE EQ IN SWITCH "CLICK" DUE TO OFFSETS FROM RETURN BUFFER. REMOVE IC SOCKETS |
| 00 | B | 7/26/99 | ECO3538 | TAZ | ADJUST MUTE TRIMS FOR REV00 PCB. CHANGE R71 FROM 825R TO 2K0, AND R64 FROM 2K0 TO 221R |
| 00 | C | 5/24/00 | 3918 | SLAV | CHANGE R160, R161 FROM 475R TO 221R TO DECREASE MIC PRE DIST AT LOW POWER SUPPLY VOLTAGE |

COMPANY: **CRESTAUDIO**

TITLE: **XMON INPUT MAIN**

ORG DRAWN: R1 DATED: FEB 98

CHECKED: DATED:

CUR REV DRAWN: TAZ DATED: 6/10/99

RELEASED: DATED:

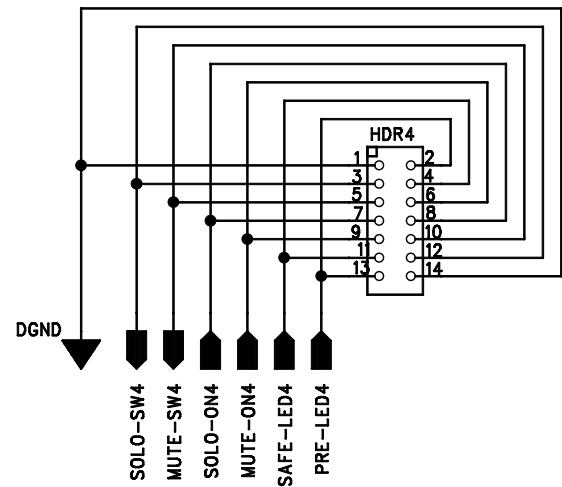
ASSBY LEV: A SIZE: D

DRAWING NO: 76D4139

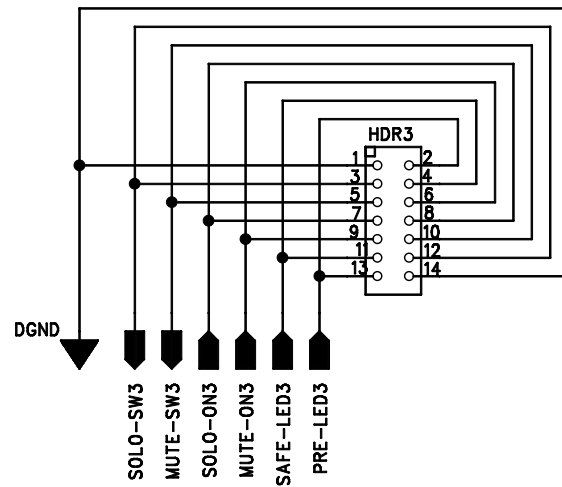
FILE NAME: XMINP.MNO.SCH

REV: 00

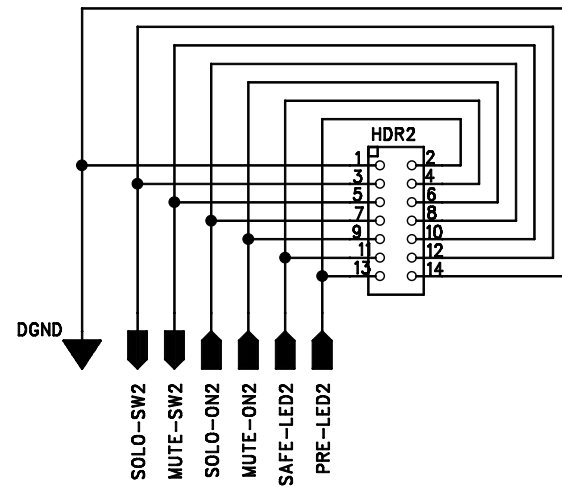
SHEET: 3 OF 3



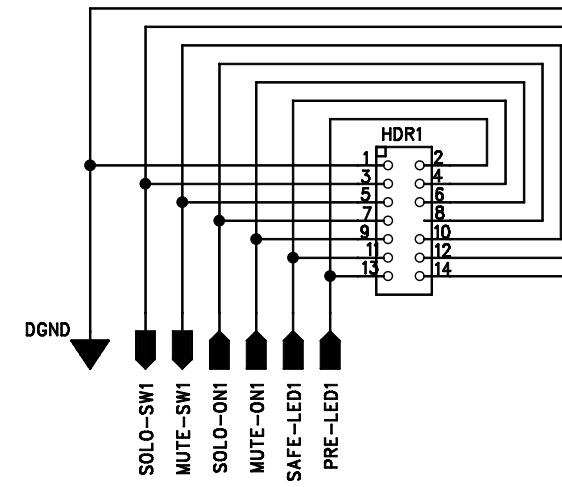
CHANNEL FURTHEST FROM MICRO WITHIN BLOCK



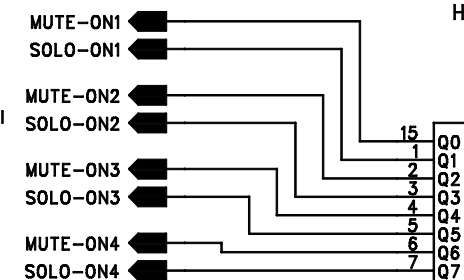
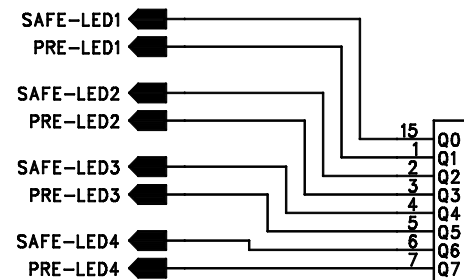
CHANNEL 3



CHANNEL 2

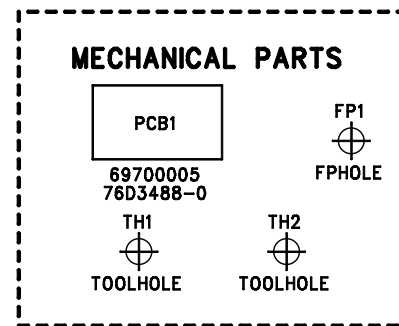
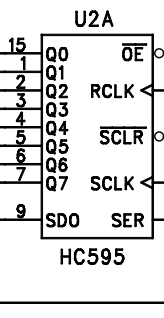
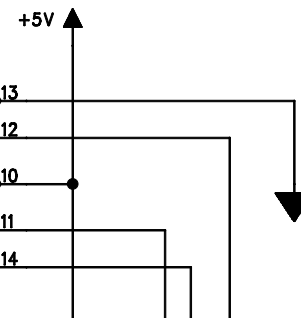
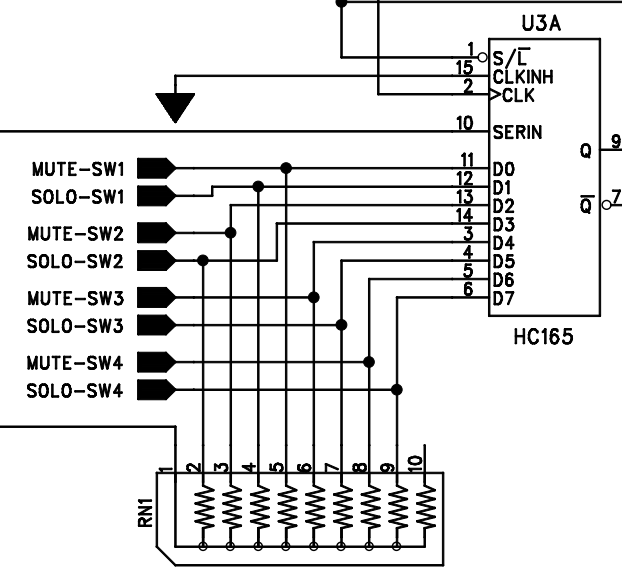
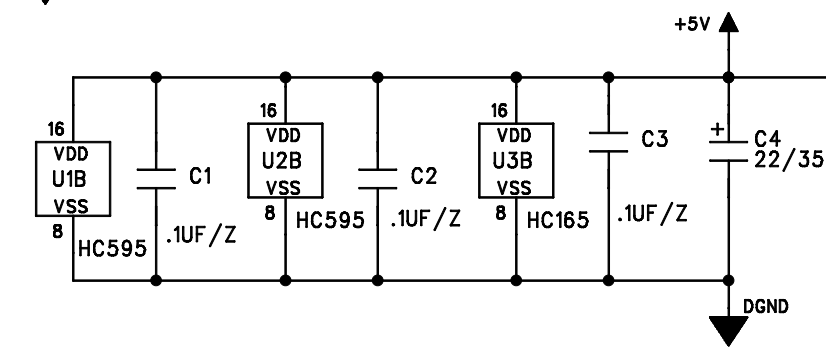
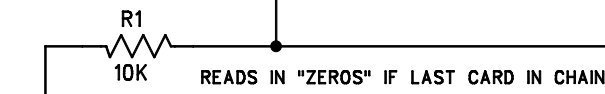
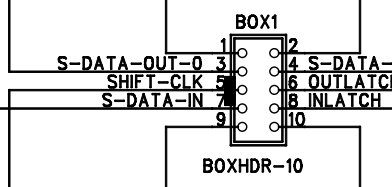


CHANNEL CLOSEST TO MICRO WITHIN BLOCK



ACTIVE MUTE/SOLO=HI

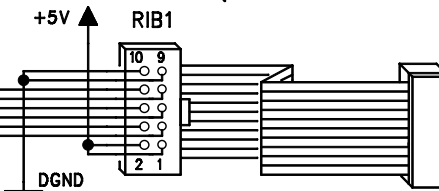
END OF LINE OR PREVIOUS BRIDGE CARD



REV NOTE:

This rev. change is only to re-track the PCB to reduce micro noise interference.

LED & CTRL DATA



TO/FROM MICRO OR NEXT BRIDGE CARD

SW DATA

CARD ORIENTATION IS ALWAYS WITH RIBBON TOWARDS MICRO.

CARD CAN BE FITTED TO INPUT BLOCK IN EITHER DIRECTION TO ALLOW FOR INPUTS TO THE LEFT OR RIGHT OF THE MICRO (MASTER SECTION).

COMPANY:



TITLE: X-Monitor Input Micro Bridge PCB

X8 INPUT MICRO BRIDGE PCB (4 CHANNELS)

| | |
|-----------------------|---------------------|
| ORG DRAWN: JRP | DATED: 22 JUL 97 |
| CHECKED: | DATED: |
| CUR REV DRAWN: PSM | DATED: 7/31/98 |
| RELEASED: | DATED: |

| | | | |
|--------|-------|----------------------------|--------------|
| CODE: | SIZE: | DRAWING NO: 76D3488 | REV: 0 |
| | | FILE NAME: X8IPBRG0.SCH | |
| SCALE: | | | SHEET 1 OF 1 |

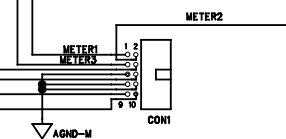
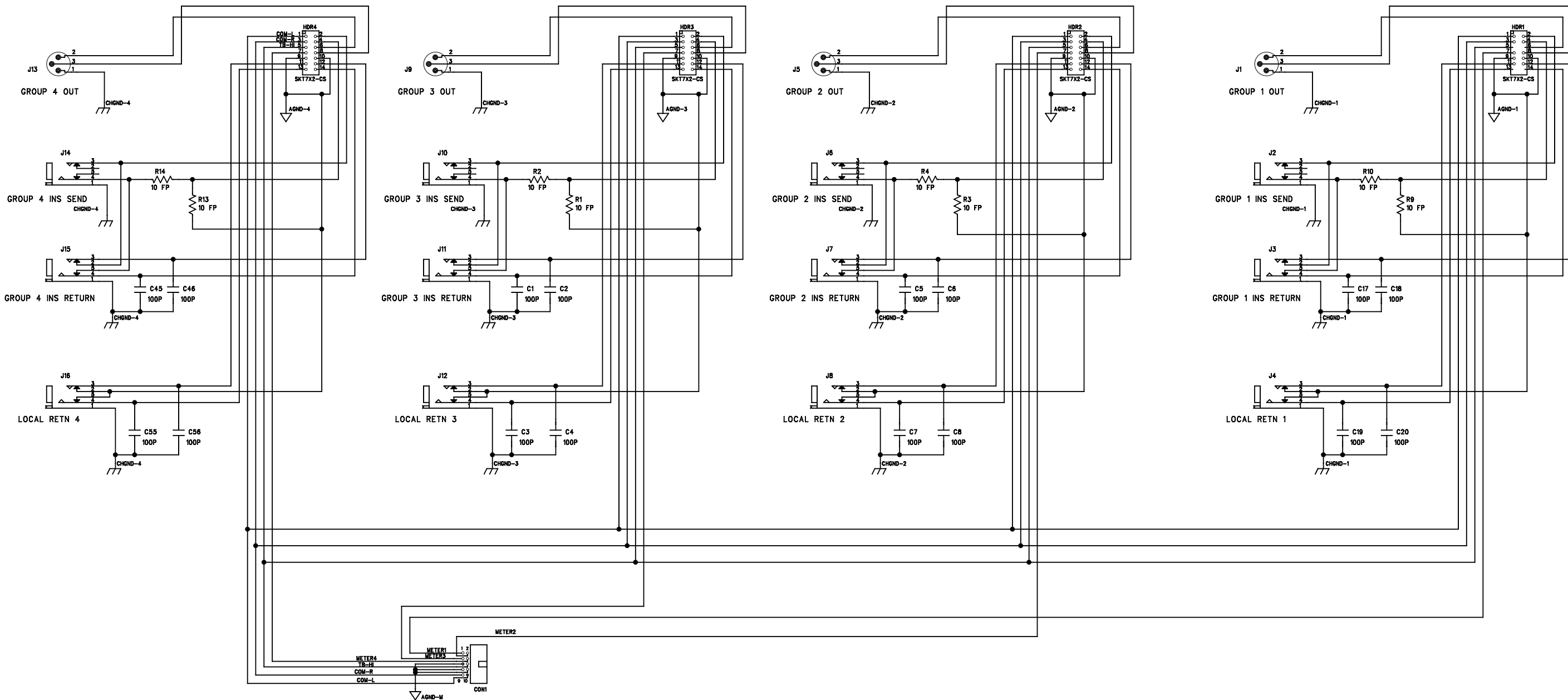
| REVISION RECORD | | | |
|-----------------|---------|-----------|-------|
| LTR | ECO NO. | APPROVED: | DATE: |
| | | | |
| | | | |
| | | | |

MODULE 4

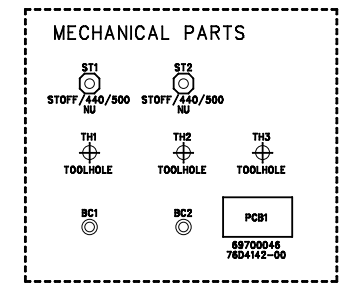
MODULE 3

MODULE 2

MODULE 1



TO GROUP CONN 5-8



| | | | |
|-----------------------------|---------------|---------------------------------------|---------------|
| COMPANY: CREST AUDIO | | TITLE: XMONITOR GROUP 1-4 CONN | |
| DRAWN: RI | DATED: MAR 98 | ASSEMBLY LEV: A | SIZE: D |
| CHECKED: JP | DATED: JAN 99 | DRAWING NO: 76D4142 | |
| CUR. REV. DRAWN: TAZ | DATED: MAY 99 | FILENAME: XMG1CN0.SCH | |
| RELEASED: | DATED: | SCALE: | SHEET: 1 OF 1 |

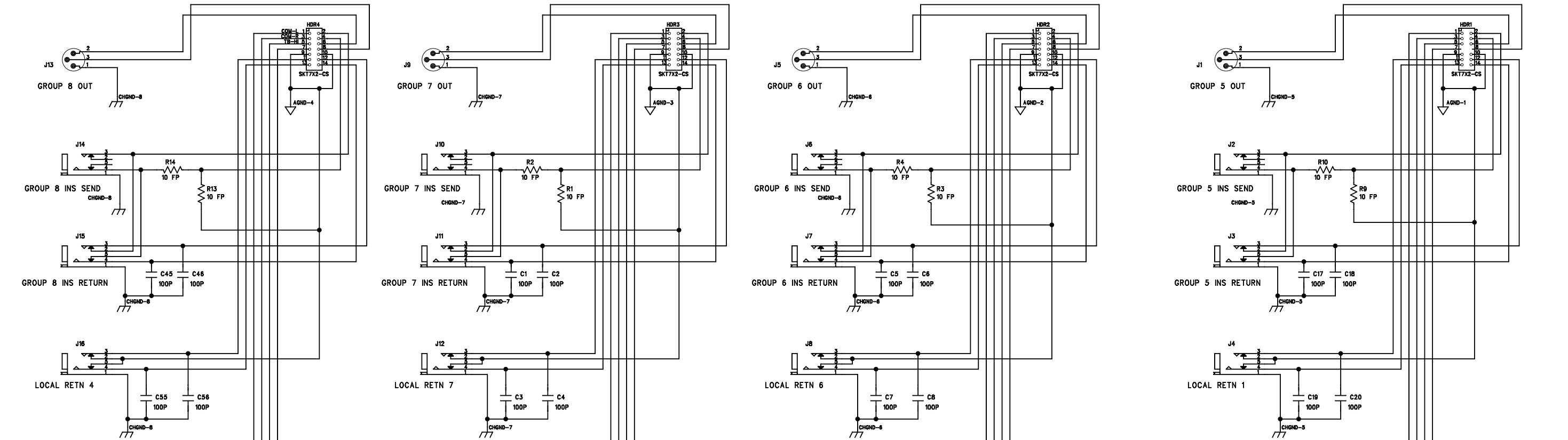
| REVISION RECORD | | | |
|-----------------|---------|-----------|-------|
| LTR | ECO NO: | APPROVED: | DATE: |
| | | | |
| | | | |
| | | | |

MODULE 8

MODULE 7

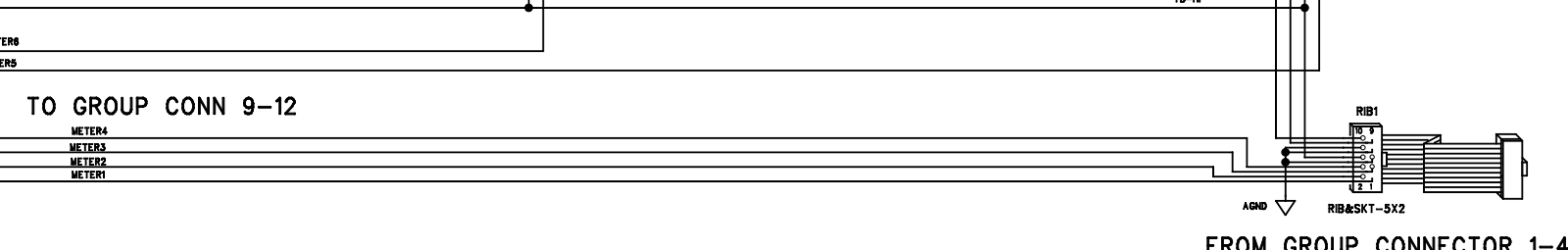
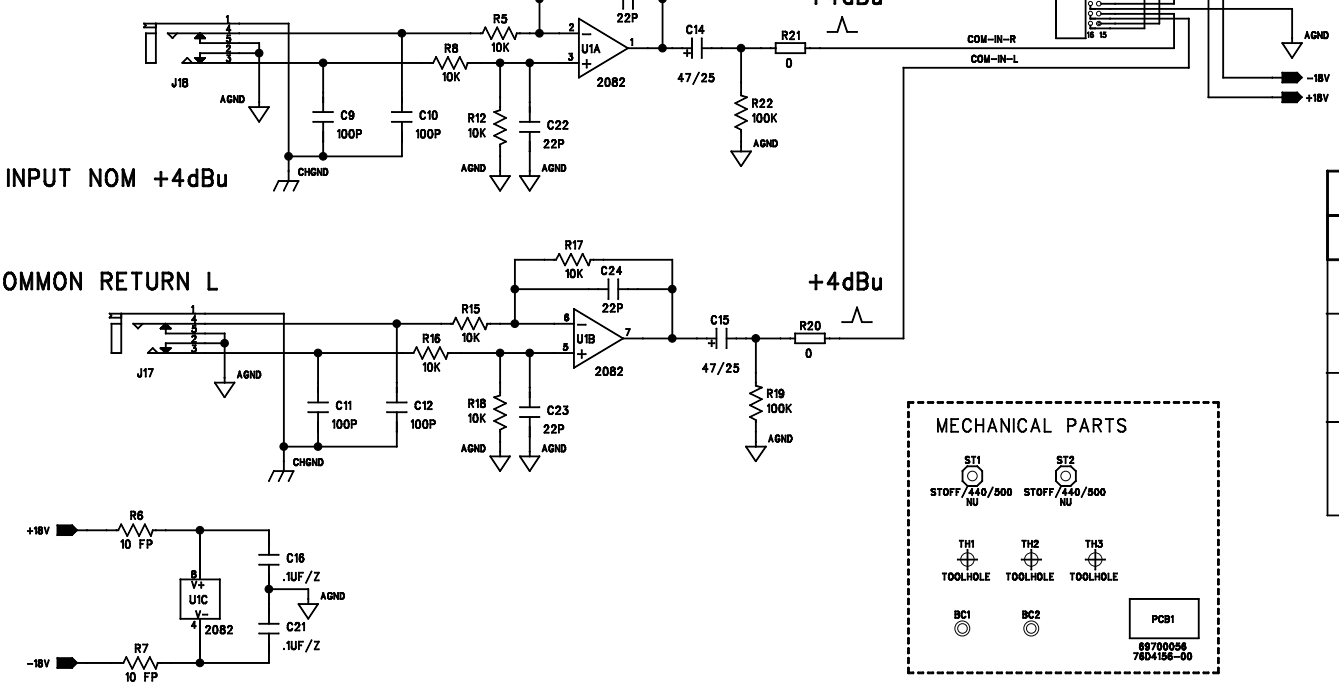
MODULE 6

MODULE 5

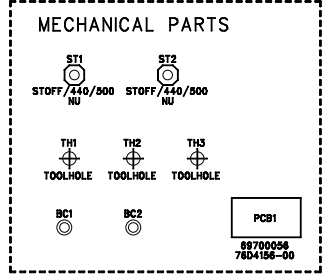


COMMON RETURN R

COMMON RETURN L



| REVISION RECORD | | | | | |
|-----------------|--------------|---------|---------|------|---|
| REV LEVEL | ASMBLY LEVEL | DATE | ECO | ENG. | DESCRIPTION |
| A | A | | | RI | PROTOTYPE PCB RELEASE |
| B | A | 5/21/99 | DCO985 | TAZ | MOVE LOCATION OF SUPPORT PCB FIXING HOLES ST1 AND ST2 |
| B | B | 6/10/99 | DCO1007 | PSM | - CHANGE R20, R21 FROM 22R-FP TO 0R JUMPER. REDUCES X-TALK! |
| 00 | A | 6/30/99 | | TAZ | SILKSCREEN CHANGE TO REV00, NO COPPER CHANGE. |



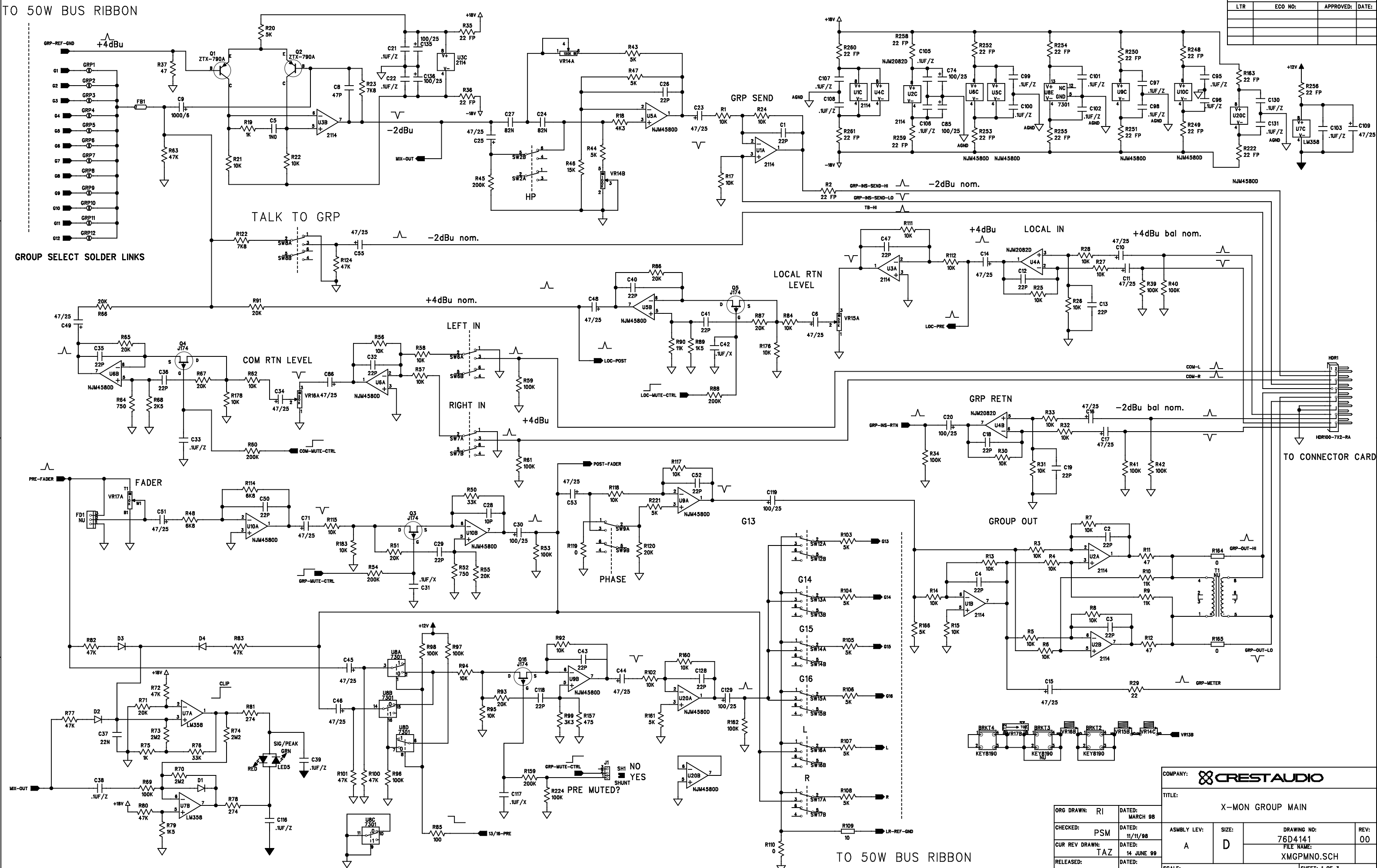
COMPANY: **CRESTAUDIO**

TITLE: **X-MONITOR GROUP 5-8 CONN**

| | | | | | |
|----------------------|---------------|---------------|---------|------------------------|---------|
| DRAWN: RI | DATED: MAR 98 | ASMBLY LEV: A | SIZE: D | DRAWING NO: 76D4156 | REV: 00 |
| CHECKED: JP | DATED: DEC 98 | | | FILENAME: XMGP5CN0.SCH | |
| CUR. REV. DRAWN: TAZ | DATED: MAY 99 | | | | |
| RELEASED: | DATED: | | | | |

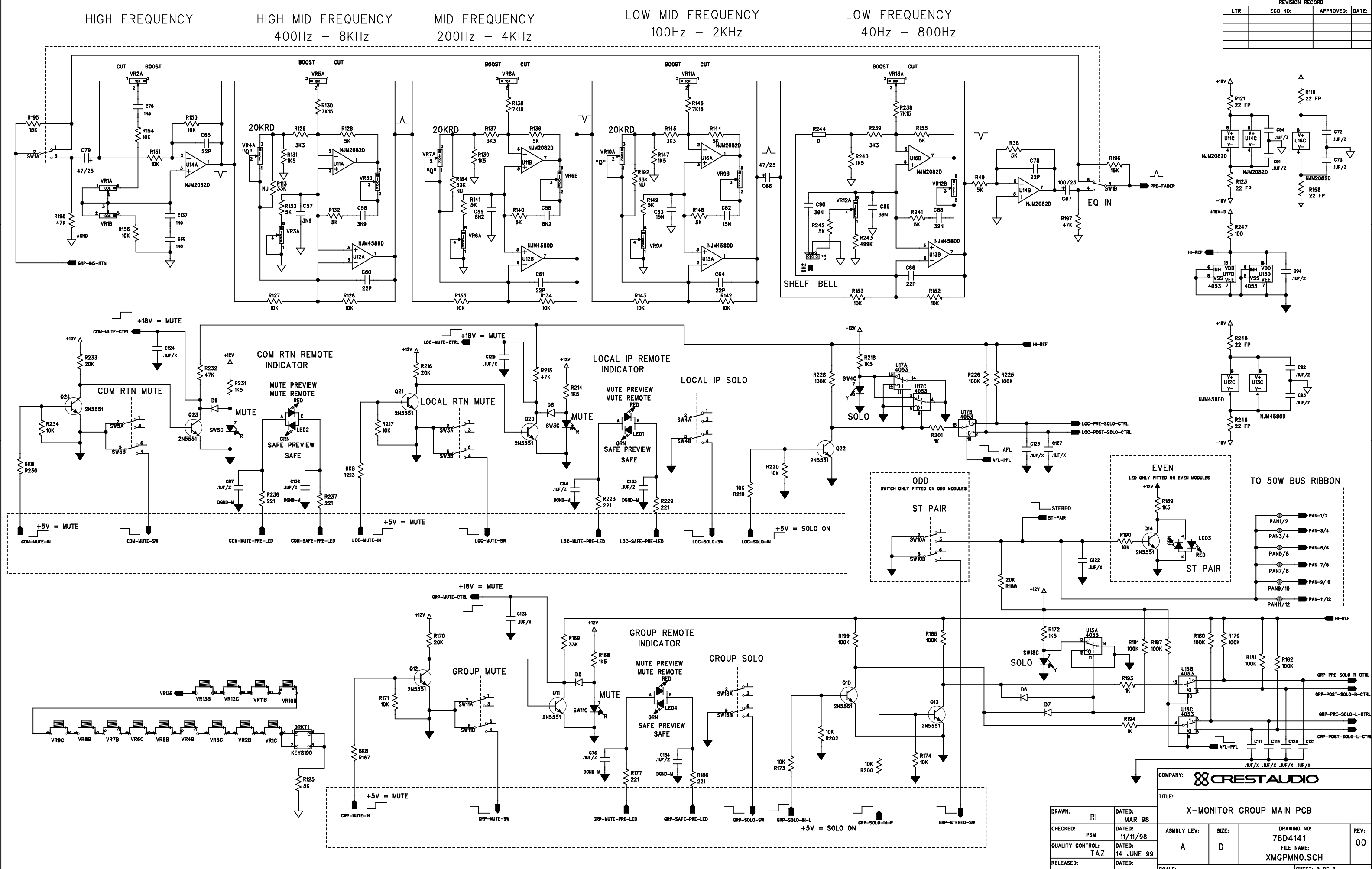
SHEET: 1 OF 1

| REVISION RECORD | | | |
|-----------------|---------|-----------|-------|
| LTR | ECO NO. | APPROVED: | DATE: |
| | | | |
| | | | |



| | | | |
|----------------------------|--------------------------|--------------------------------|----------------------|
| COMPANY: CRESTAUDIO | | TITLE: X-MON GROUP MAIN | |
| ORG DRAWN: RI | DATED: MARCH 98 | ASSEMBLY LEV: A | SIZE: D |
| CHECKED: PSM | DATED: 11/11/98 | DRAWING NO: 76D4141 | REV: 00 |
| CUR REV DRAWN: TAZ | DATED: 14 JUNE 99 | FILE NAME: XMGPMNO.SCH | |
| RELEASED: | DATED: | SCALE: | SHEET: 1 OF 3 |

| REVISION RECORD | | | |
|-----------------|---------|-----------|-------|
| LTR | ECO NO. | APPROVED: | DATE: |
| | | | |
| | | | |
| | | | |



COMPANY: **CRESTAUDIO**

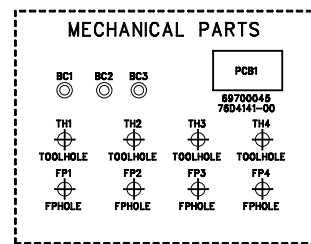
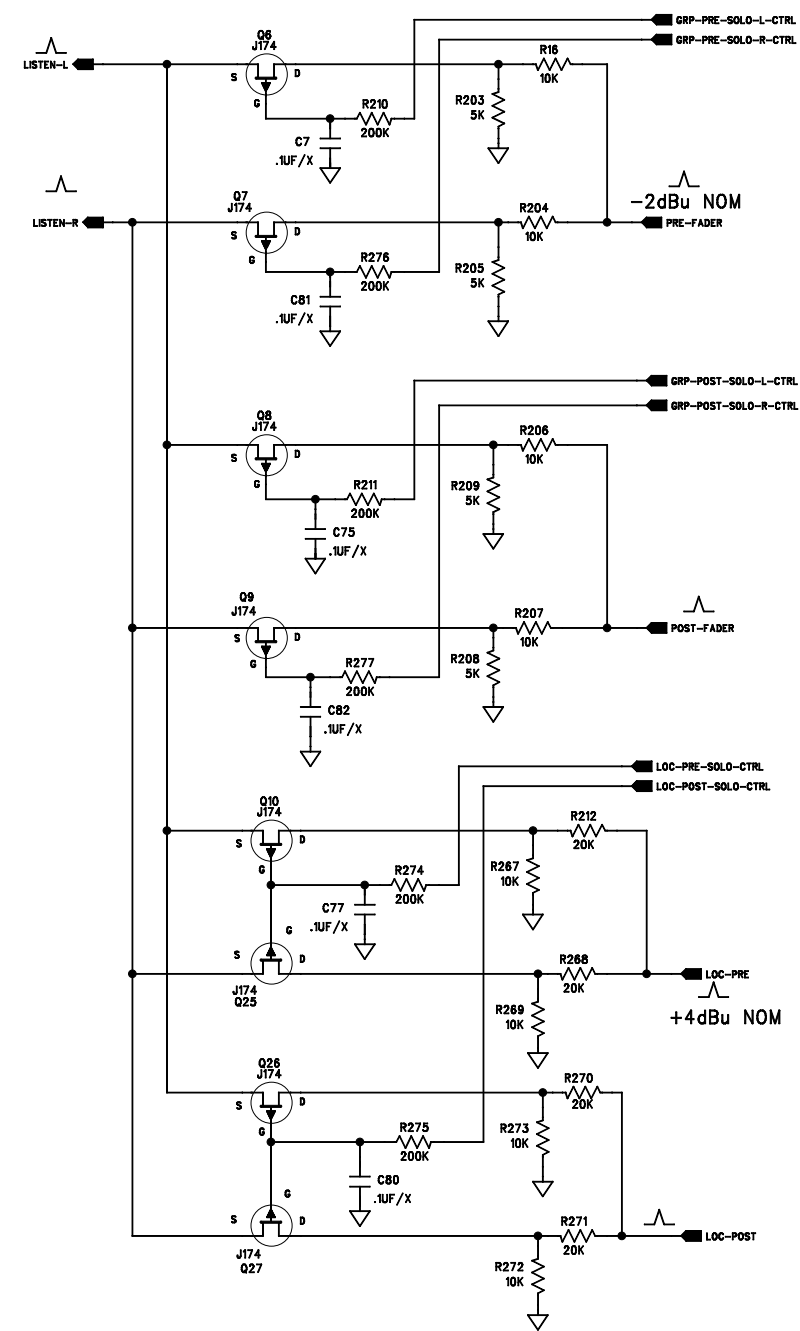
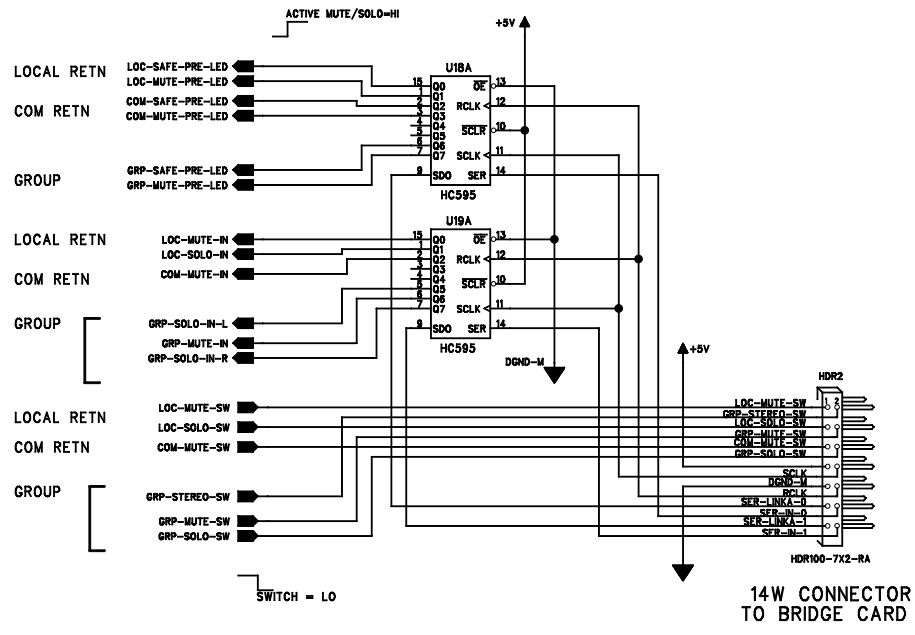
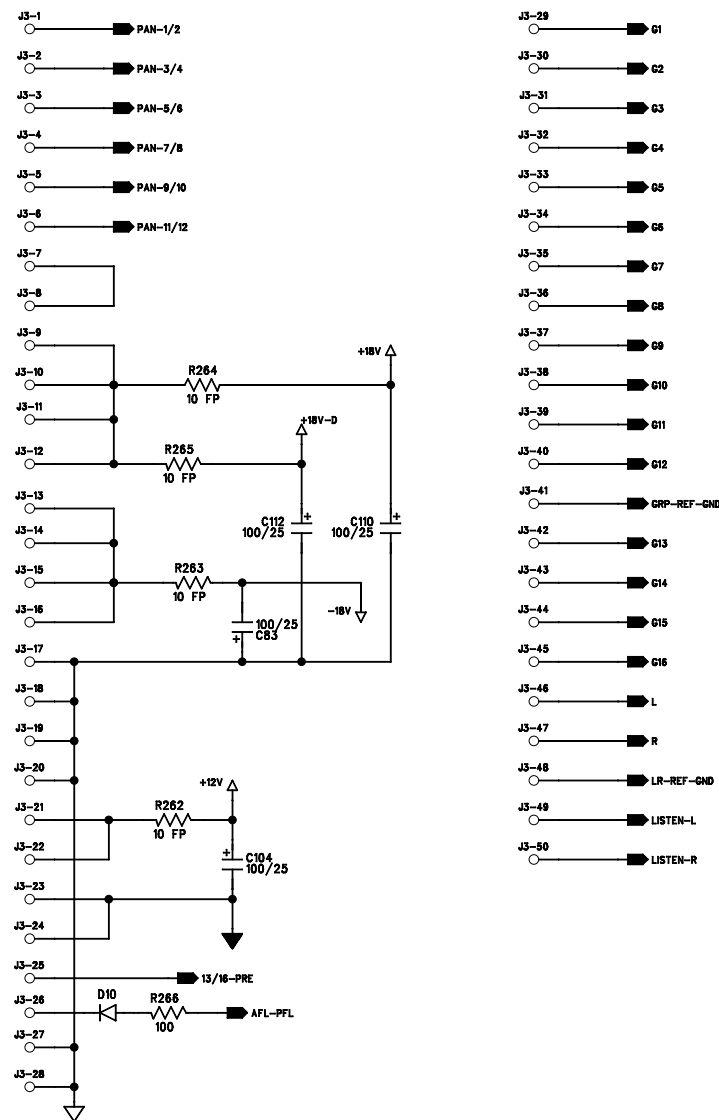
TITLE: **X-MONITOR GROUP MAIN PCB**

| | | | | | |
|----------------------|-------------------|------------------------|---------------|---------------------|---------|
| DRAWN: RI | DATED: MAR 98 | ASSEMBLY LEV: A | SIZE: D | DRAWING NO: 76D4141 | REV: 00 |
| CHECKED: PSM | DATED: 11/11/98 | FILE NAME: XMGPMNO.SCH | SHEET: 2 OF 3 | | |
| QUALITY CONTROL: TAZ | DATED: 14 JUNE 99 | SCALE: | | | |
| RELEASED: | DATED: | | | | |

| REVISION RECORD | | | |
|-----------------|---------|-----------|-------|
| LTR | ECO NO. | APPROVED: | DATE: |
| | | | |
| | | | |
| | | | |

| REVISION RECORD | | | | | |
|-----------------|--------------|---------|---------|------|--|
| REV LEVEL | ASMBLY LEVEL | DATE | ECO | ENG. | DESCRIPTION |
| B | A | 5/17/99 | DC0973 | TAZ | NEW MIX AMP CIRCUITRY, AND IMPROVEMENT IN MTX X'TALKS. |
| B | B | 5/27/99 | DC0992 | TAZ | MUTE TRIMS - CHANGE R90 FROM 1K50 TO 750R CHANGE R89 FROM 825R TO NU CHANGE R64 FROM 274R TO 221R CHANGE R68 FROM 3K01 TO NU CHANGE R52 FROM 1K50 TO 2K49 CHANGE R157 FROM 274R TO 475R CHANGE R99 FROM 2K0 TO 143R ADD R85 (100R0) AND R224 (100K0) R224 (100K0) - ADDITION THRU MANUAL MODIFICATION. |
| B | C | 6/2/99 | DC0995 | TAZ | REMOVAL OF R175 (100R0) - THIS IS A LINK BETWEEN DGND AND DGND-M AND SHOULD NOT BE FITTED. |
| 00 | A | 6/14/99 | EC03424 | TAZ | PCB REVISION FROM B TO 00 - TRACK IN R224, AND IMPROVE COM1 X'TALK TO GROUP SEND. CHANGE SOLO RES TO AGND. REMOVE IC SOCKETS |
| 00 | B | 7/16/99 | 3518 | PSM | - CHANGED R20 OF GROUP MIX AMP FROM 10K TO 4K99. REDUCES COMMON MODE VOLTAGE ON OP-AMP. |
| 00 | B | 8/4/99 | 3559 | PSM | - MUTE TRIM CHANGES: R89: NU TO 1K5, R90: 750 TO 11K, R64: 221 TO 750, R68: NU TO 2K5, R99: 143 TO 3K32, R52: 2K5 TO 750, R55: 825 TO 20K. |

50W MAIN BUS RIBBON



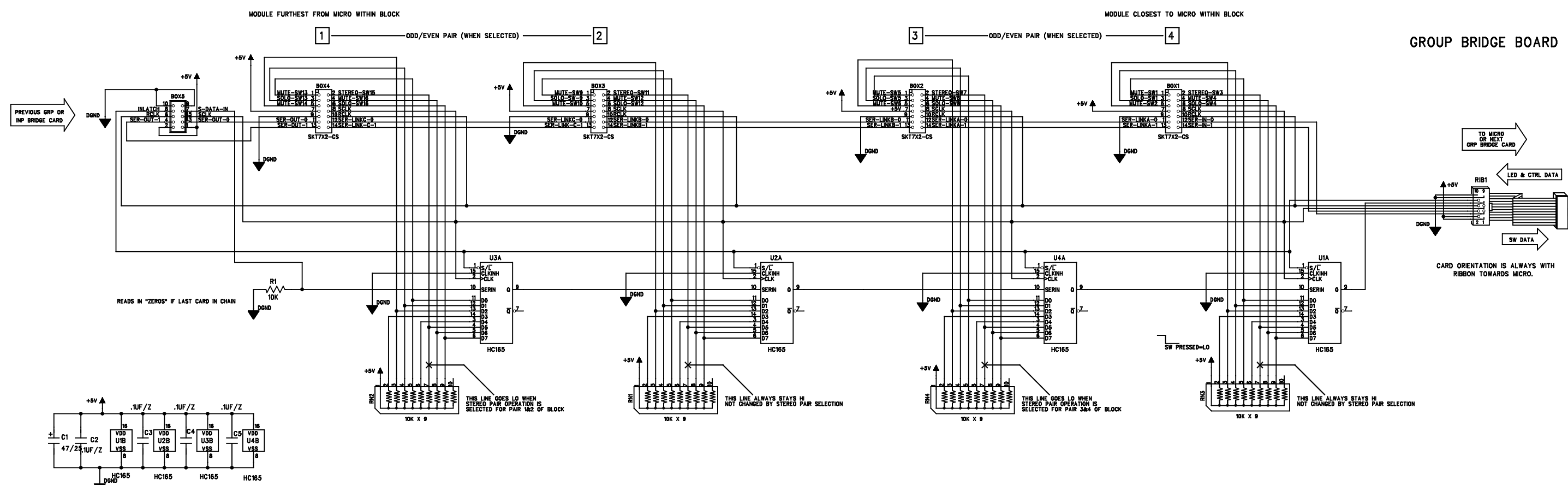
| | | | |
|----------------|-----|--------|------------|
| ORG DRAWN: | RI | DATED: | MAR 98 |
| CHECKED: | PSM | DATED: | 11/11/98 |
| CUR REV DRAWN: | TAZ | DATED: | 14 JUNE 99 |
| RELEASED: | | DATED: | |

COMPANY: **CREST AUDIO**

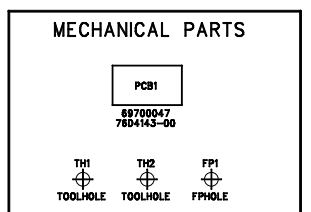
TITLE: **X-MONITOR GROUP MAIN**

| | | | |
|-------------|---------------|-------------|------|
| ASMBLY LEV: | SIZE: | DRAWING NO: | REV: |
| D | D | 76D4141 | 00 |
| FILE NAME: | | XMGPMNO.SCH | |
| SCALE: | SHEET: 3 OF 3 | | |

| REVISION RECORD | | | |
|-----------------|---------|-----------|-------|
| LTR | ECO NO. | APPROVED: | DATE: |
| | | | |
| | | | |
| | | | |



| REVISION RECORD | | | | | |
|-----------------|--------------|----------|------|------|---|
| REV LEVEL | ASMBLY LEVEL | DATE | ECO | ENG. | DESCRIPTION |
| A | A | ??/??/?? | ???? | ??? | KEEP TEXT CAPITALIZED AND USE FONT 180 10 |
| 0 | A | 6/30/99 | | PSM | SILKSCREEN CHANGED TO REV00, NO COPPER CHANGE |



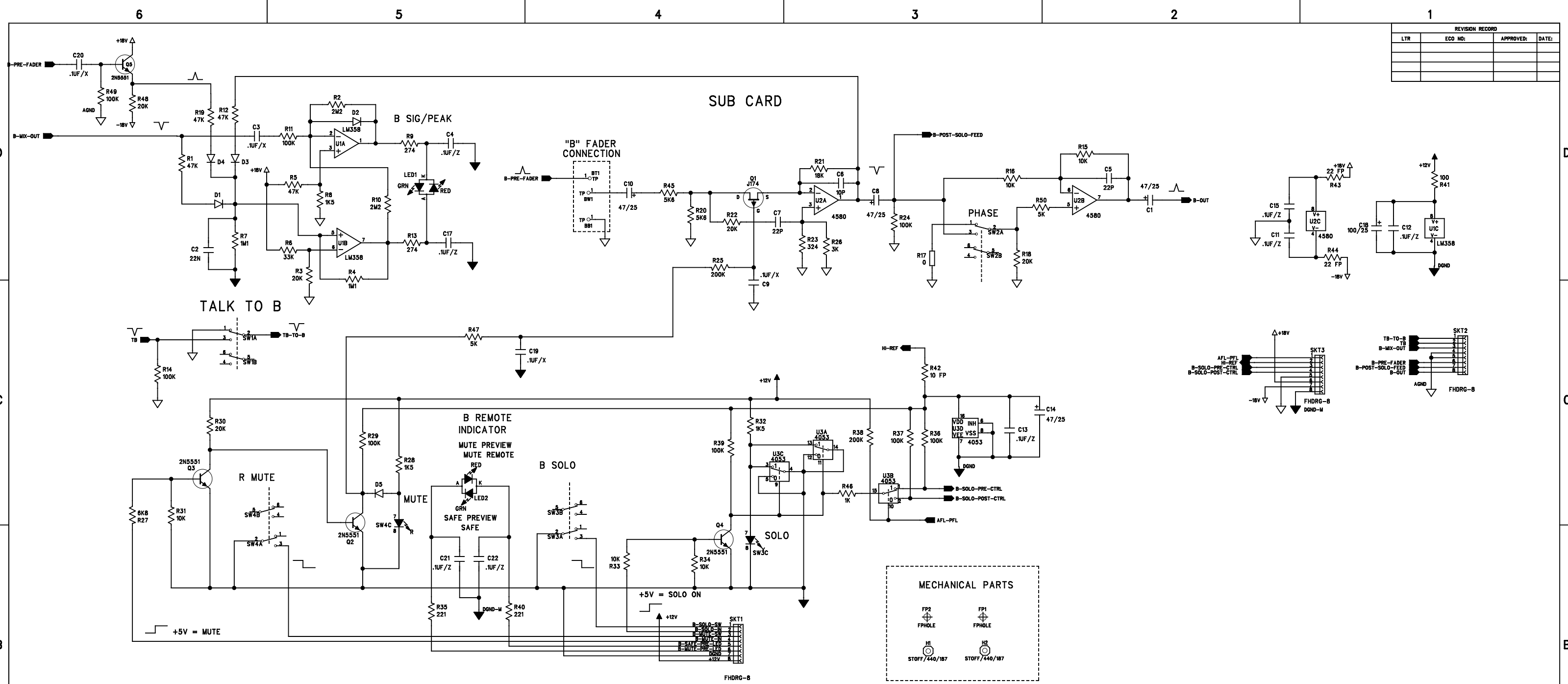
| | | | |
|----------------|----|--------|--------|
| ORG DRAWN: | RI | DATED: | MAR 98 |
| CHECKED: | | DATED: | |
| CUR REV DRAWN: | | DATED: | |
| RELEASED: | | DATED: | |

COMPANY: **CREST AUDIO**

TITLE: **X MONITOR GROUP BRIDGE PCB**

| | | | |
|--------|----------------|--------------------------------|----------------------|
| CODE: | SIZE: D | DRAWING NO: 76D4143 | REV: 00 |
| SCALE: | | FILE NAME: XMGPBRC0.SCH | SHEET: 1 OF 1 |

| REVISION RECORD | | | |
|-----------------|---------|-----------|-------|
| LTR | ECO NO. | APPROVED: | DATE: |
| | | | |
| | | | |
| | | | |



| RFV | ASMRI | Y | DESCRIPTION |
|-----|-------|---|--|
| A | A | | PROTOTYPE RELEASE |
| | | | NEEDS FILTERING FOLLOWED TO B PRE-FADER SIGNAL FEEDING SIG PRE-FADER |
| | | | C6: 22P TO 10P. (REDUCING DISTORTION THROUGH Q1) |
| | | | CHANGED PHASE CIRCUIT R47: 10K TO 5K R22: 20K TO 5K |
| | | | LOW IMPEDANCE TO REDUCE CROSSTALK. |
| | | | CHANGED GROUND CONNECTION OF R3 (PEAK CIRCUIT) FROM DGND TO AGND |
| | | | |
| | | | |
| | | | CHANGE B POST FADER FEED SO THAT IT IS PRE PHASE SECTION. |
| | | | CHANGE PHASE CIRCUIT SO IT IS IMPEDANCE TO CONTROL CORRECT PHASE |
| | | | CHANGE R21 FROM 33K2 TO 18K2 |

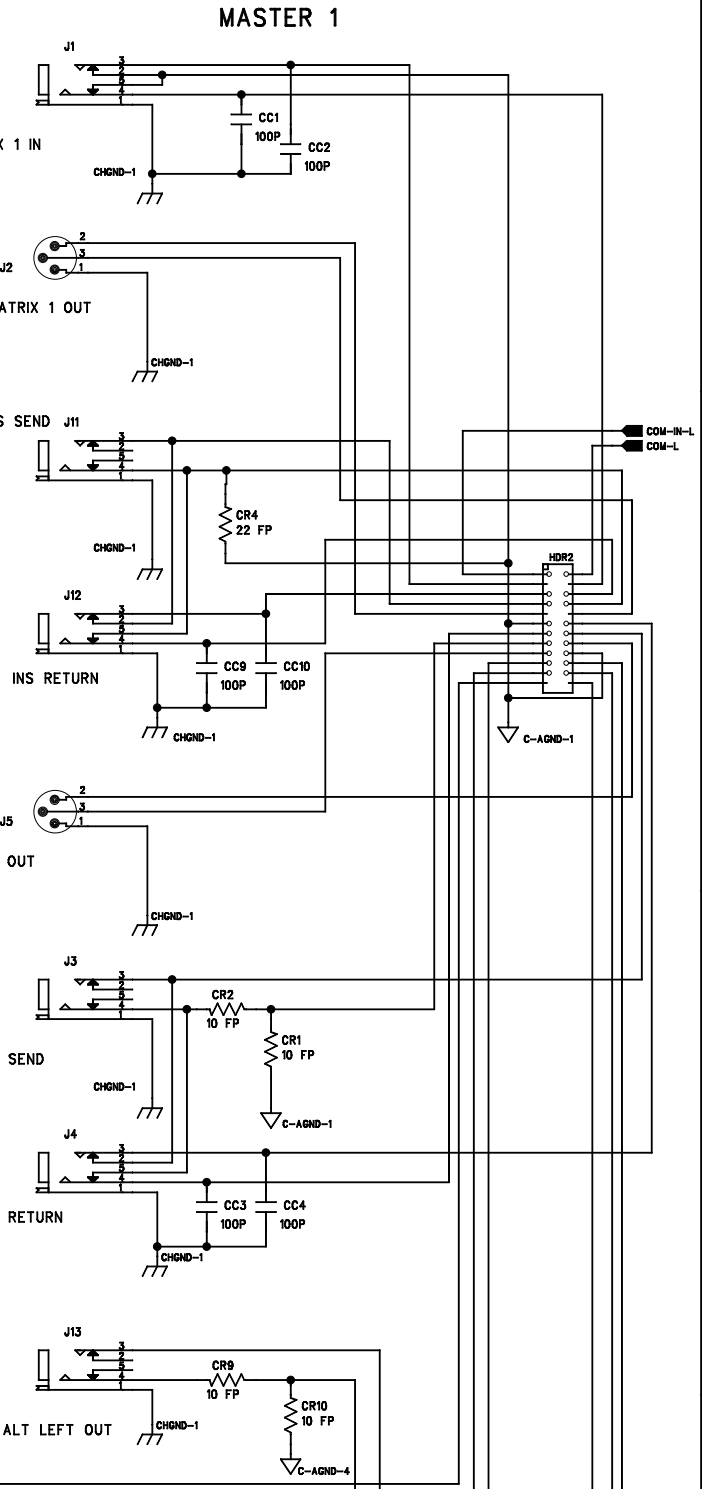
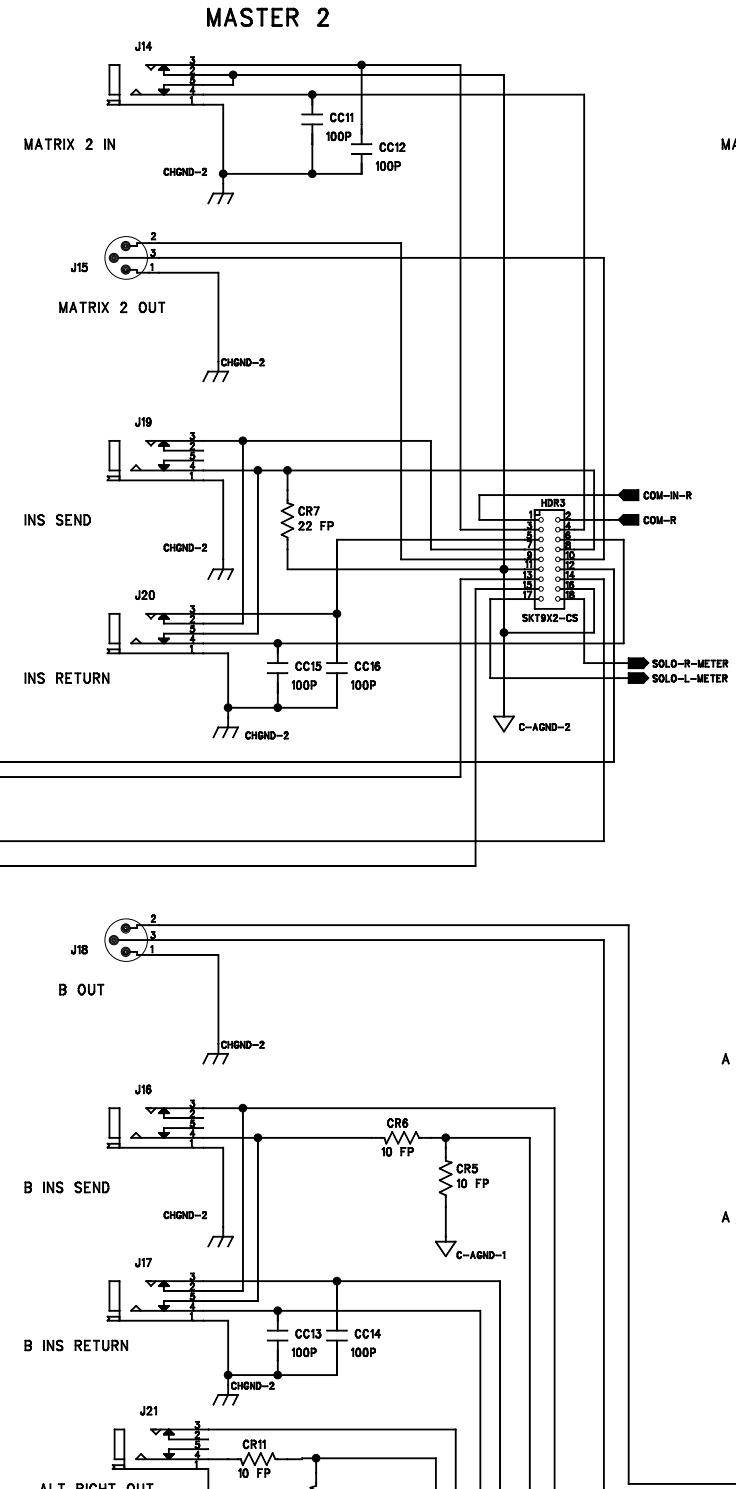
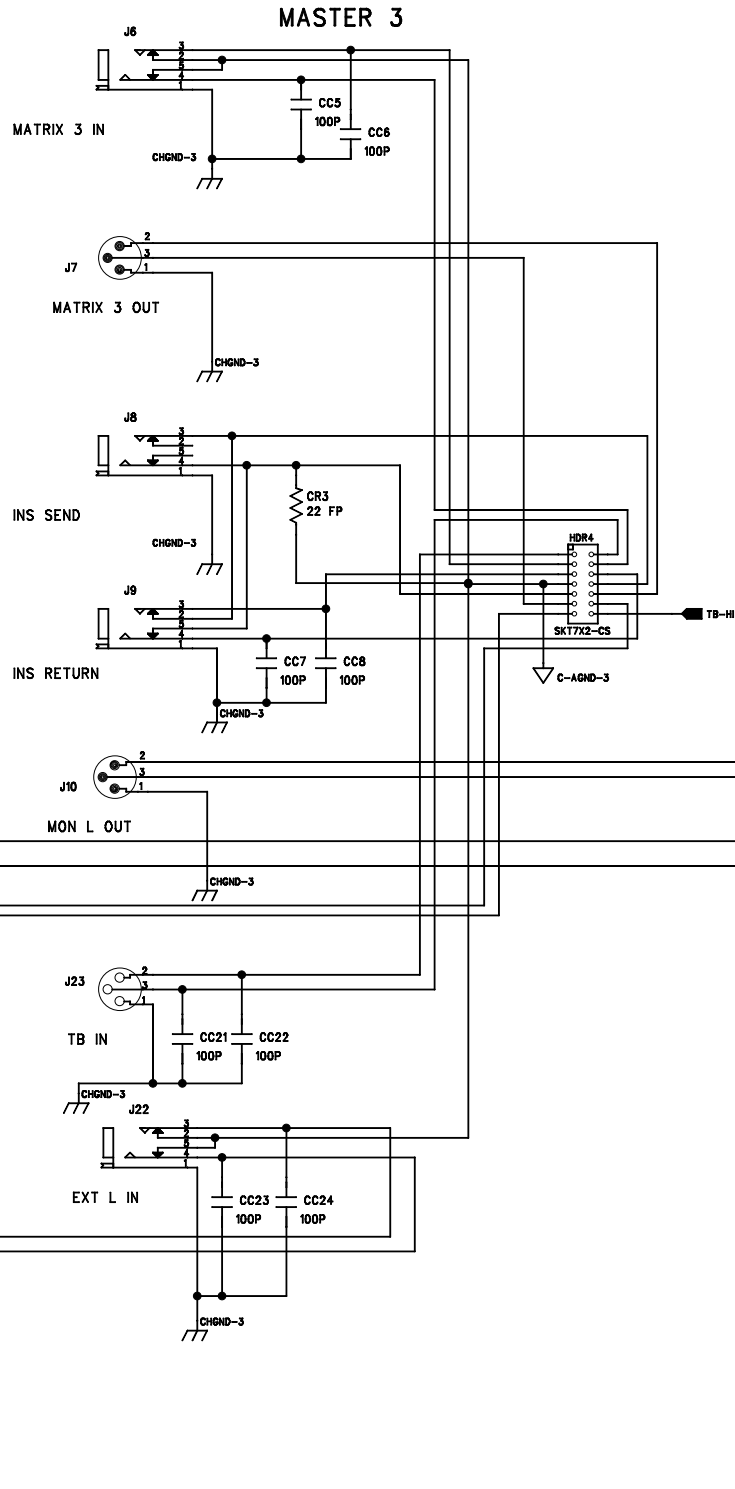
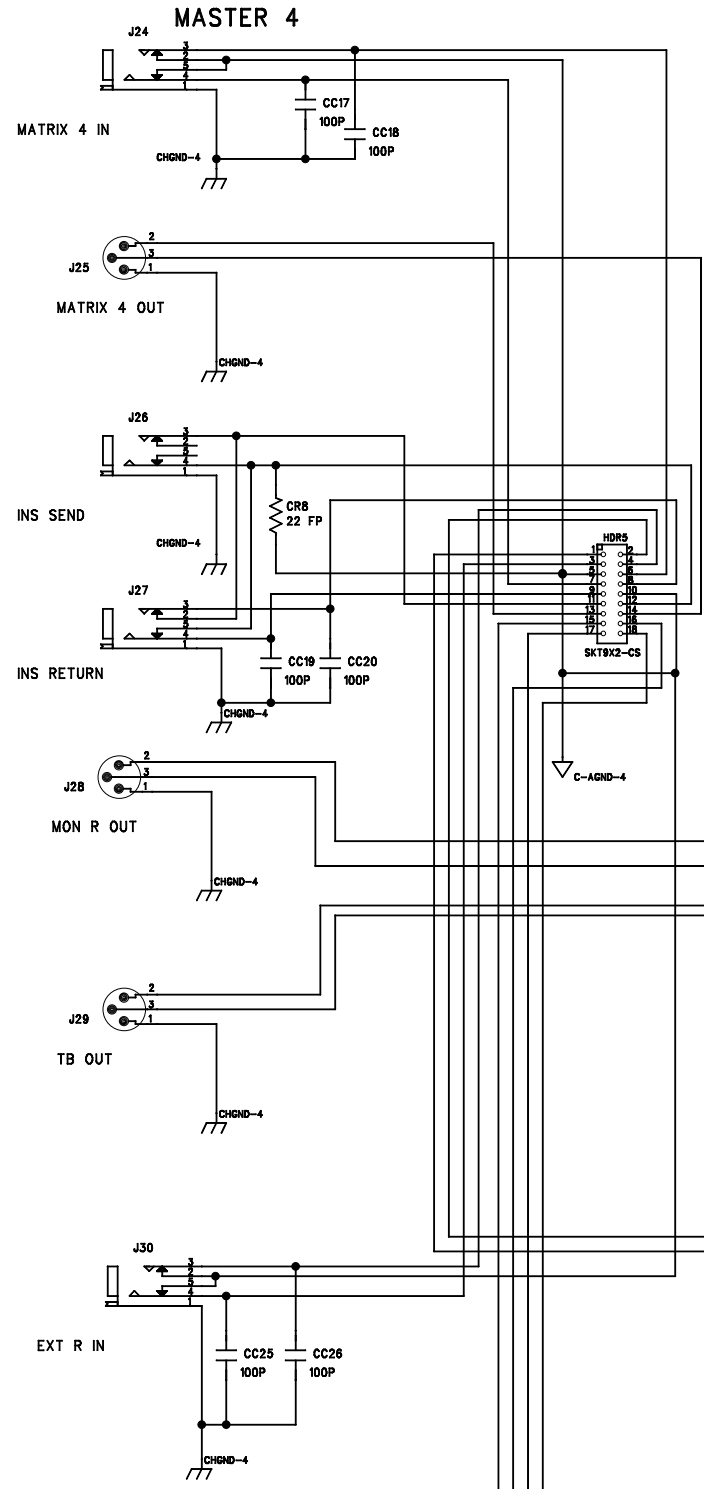
COMPANY: **CREST AUDIO**

TITLE: X-MONITOR MASTER 1 SUB CARD

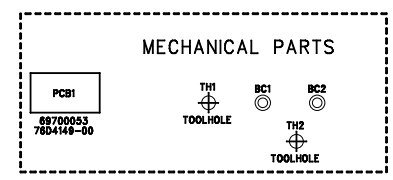
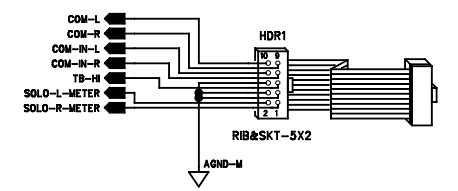
| | | | | | |
|--------------------|----------------|---------------|---------|-----------------------|--------|
| ORG DRAWN: RI | DATED: MAY 98 | ASMBLY LEV: D | SIZE: D | DRAWING NO: 76D4149 | REV: 0 |
| CHECKED: TAZ | DATED: 6/14/99 | | | FILE NAME: XMMSNO.SCH | |
| CUR REV DRAWN: TAZ | DATED: 6/14/99 | | | | |
| RELEASED: | DATED: | | | | |

SCALE: SHEET: 1 OF 2

| REVISION RECORD | | | |
|-----------------|---------|-----------|-------|
| LTR | ECO NO. | APPROVED: | DATE: |
| | | | |
| | | | |
| | | | |



TO GROUP 9-12 CON PCB

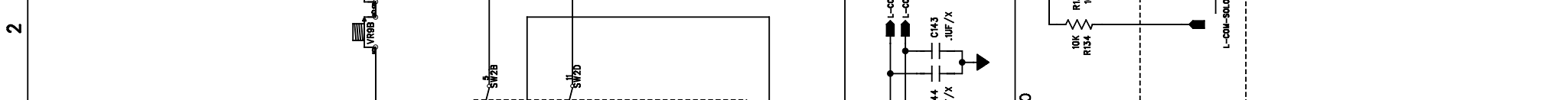
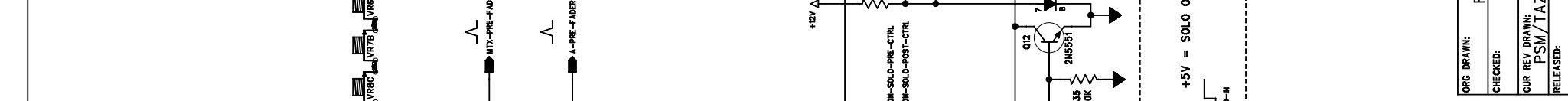
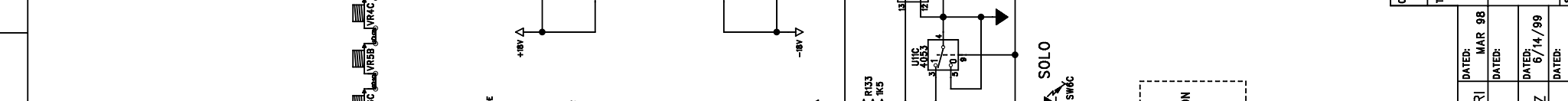


COMPANY: **CREST AUDIO**

TITLE: **XMON MASTER CONNECTOR**

| | | | | | |
|----------------------|----------------|---------------|-------|-------------|---------------|
| DRAWN: RI | DATED: MAR 98 | ASSEMBLY LEV: | SIZE: | DRAWING NO: | REV: |
| CHECKED: | DATED: | | | 76D4149 | 0 |
| CUR. REV. DRAWN: TAZ | DATED: 6/14/99 | | | FILENAME: | XMMSTCNO.SCH |
| RELEASED: | DATED: | | | SCALE: | SHEET: 1 OF 1 |

| REVISION RECORD | |
|-----------------|-----------------|
| LTR | APPROVED: DATE: |
| | |
| | |
| | |
| | |



| REVISION RECORD | |
|-----------------|----------------|
| ECO NO. | APPROVED DATE: |
| | |
| | |
| | |
| | |

TO CONNECTOR CARD

50W MAIN BUSS RIBBON

+4dBu nom

AB-REF-GND

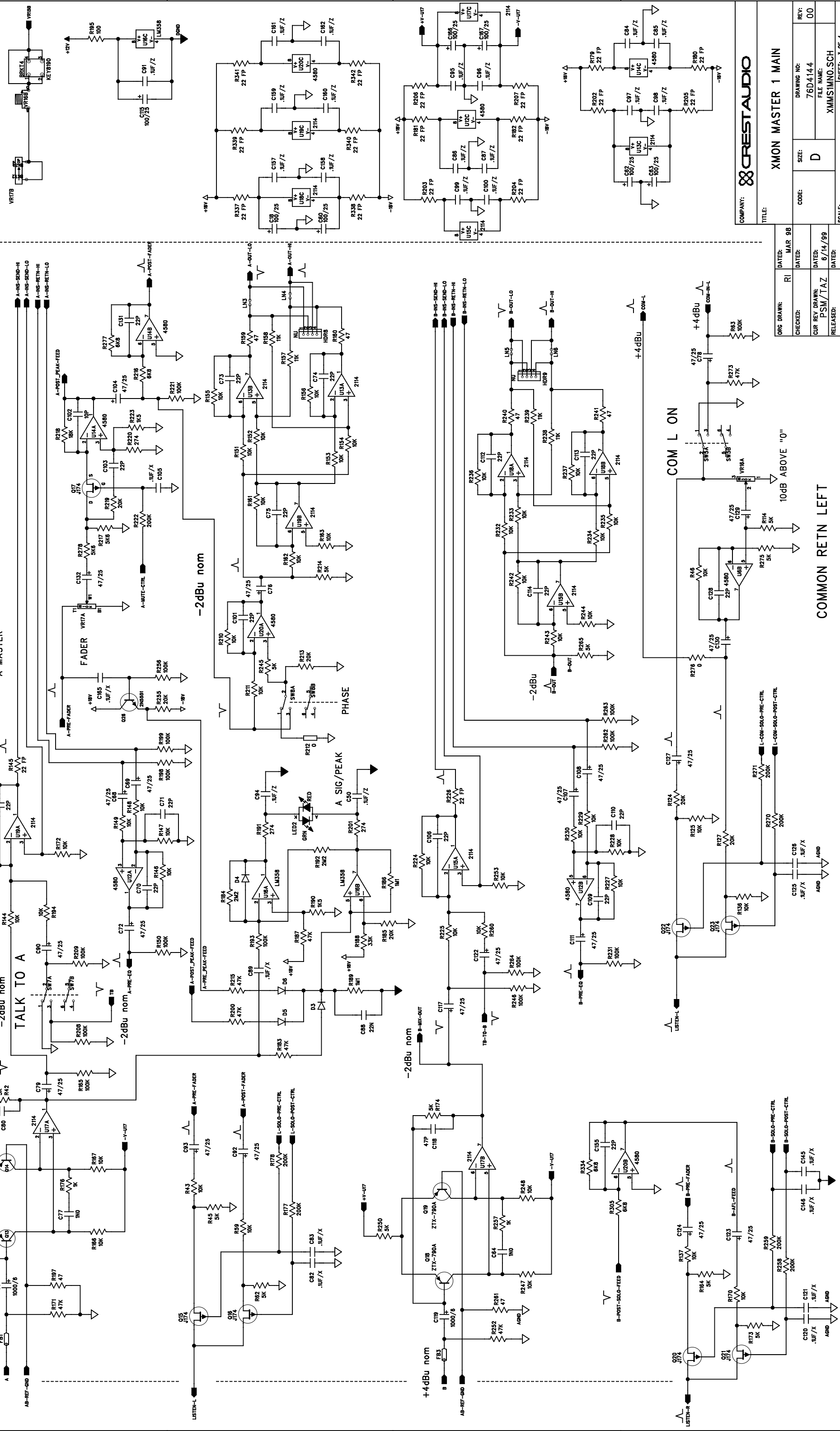
LISTEN-H

LISTEN-L

+4dBu nom

AB-REF-GND

+4dBu nom



1

2

3

4

5

6

1

2

3

4

5

6

1

2

3

4

5

6

1

2

3

4

5

6

1

2

3

4

5

6

1

2

3

4

5

6

1

2

3

4

5

6

1

2

3

4

5

6

1

2

3

4

5

6

1

2

3

4

5

6

1

2

3

4

5

6

1

2

3

4

5

6

1

2

3

4

5

6

1

2

3

4

5

6

1

2

3

4

5

6

1

2

3

4

5

6

1

2

3

4

5

6

1

2

3

4

5

6

1

2

3

4

5

6

1

2

3

4

5

6

1

2

3

4

5

6

1

2

3

4

5

6

1

2

3

4

5

6

1

2

3

4

5

6

1

2

3

4

5

6

1

2

3

4

5

6

1

2

3

4

5

6

1

2

3

4

5

6

1

2

3

4

5

6

1

2

3

4

5

6

1

2

3

4

5

6

1

2

3

4

5

6

1

2

3

4

5

6

1

2

3

4

5

6

1

2

3

4

5

6

1

2

3

4

5

6

1

2

3

4

5

6

1

2

3

4

5

6

1

2

3

4

5

6

1

2

3

4

5

6

1

2

3

4

5

6

1

2

3

4

5

6

1

2

3

4

5

6

1

2

3

4

5

6

1

2

3

4

5

6

1

2

3

4

5

6

1

2

3

4

5

6

1

2

3

4

5

6

1

2

3

4

5

6

1

2

3

4

5

6

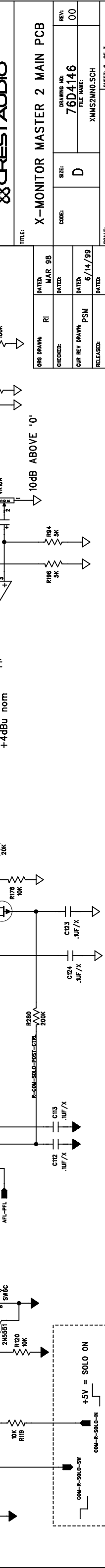
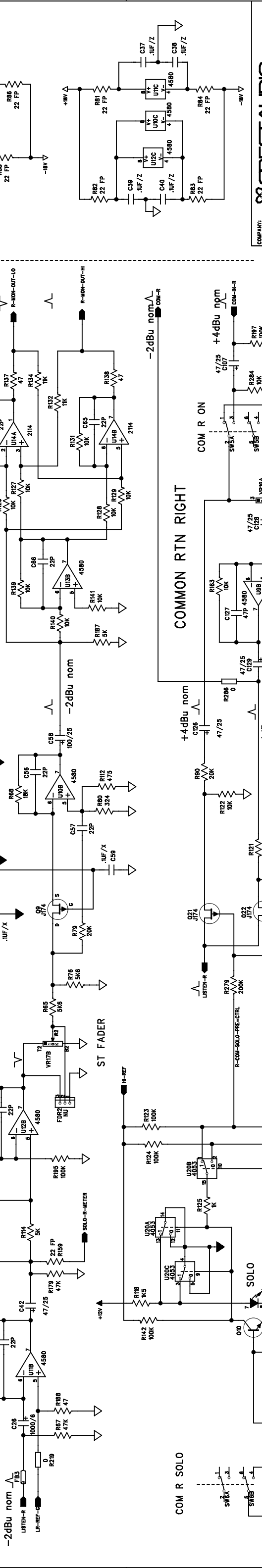
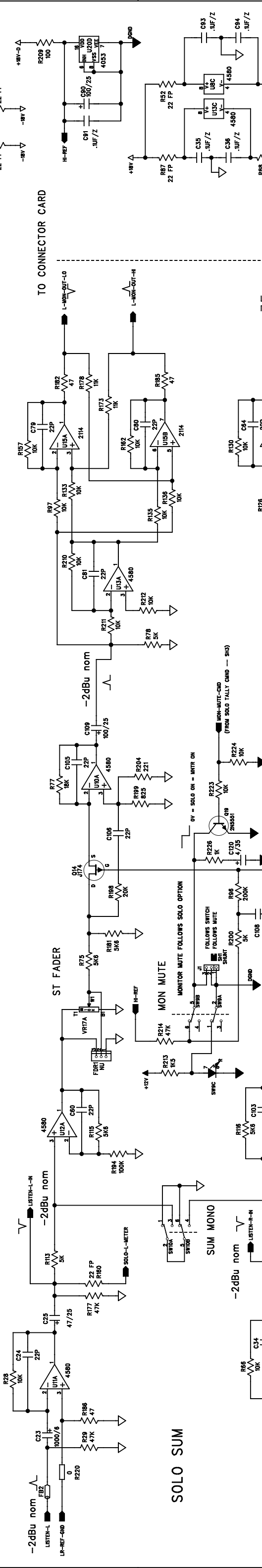
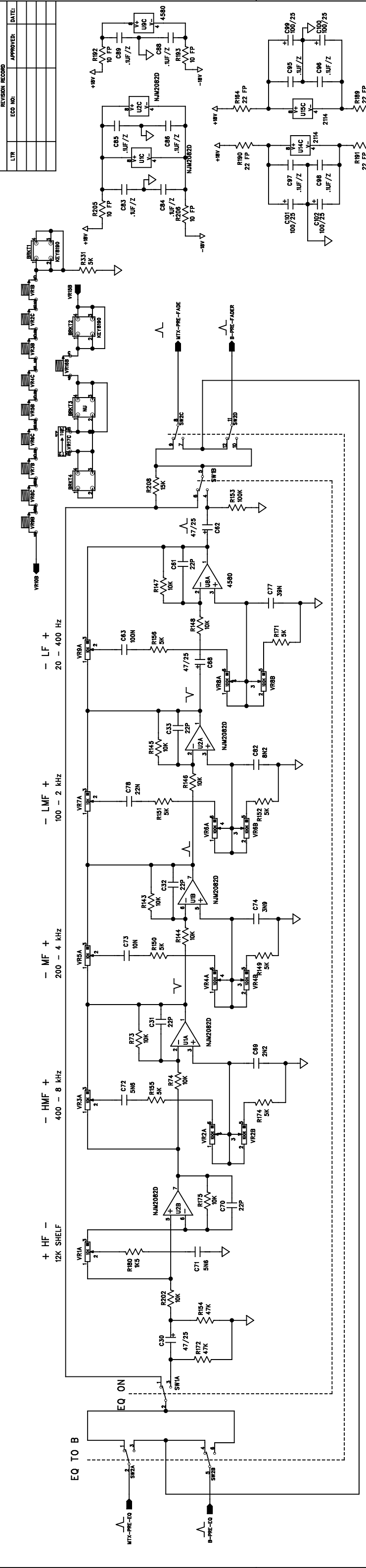
1

2

3

4

1
2
3
4
5
6



| LTR | ECO NO. | APPROVED | DATE |
|-----|---------|----------|------|
| | | | |
| | | | |
| | | | |

| REV | DATE | DESCRIPTION |
|-----|------|-------------|
| | | |
| | | |
| | | |

| | |
|------------|-----------------------------|
| COMPANY: | CRESTAUDIO |
| TITLE: | X-MONITOR MASTER 2 MAIN PCB |
| DWG NO: | 76D4146 |
| FILE NAME: | XMMS2MNO.SCH |
| SCALE: | SHEET: 2 OF 3 |

| | |
|-------|---------|
| DATE: | MAR 98 |
| DATE: | |
| DATE: | 6/14/99 |
| DATE: | |

| | |
|--------|-----|
| CHK'D: | RI |
| CHK'D: | |
| CHK'D: | PSM |
| CHK'D: | |

| | |
|-------|---------|
| DATE: | MAR 98 |
| DATE: | |
| DATE: | 6/14/99 |
| DATE: | |

| | |
|-------|---------|
| DATE: | MAR 98 |
| DATE: | |
| DATE: | 6/14/99 |
| DATE: | |

| | |
|-------|---------|
| DATE: | MAR 98 |
| DATE: | |
| DATE: | 6/14/99 |
| DATE: | |

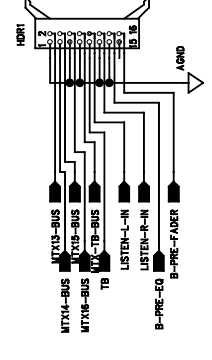
| | |
|-------|---------|
| DATE: | MAR 98 |
| DATE: | |
| DATE: | 6/14/99 |
| DATE: | |

| | |
|-------|---------|
| DATE: | MAR 98 |
| DATE: | |
| DATE: | 6/14/99 |
| DATE: | |

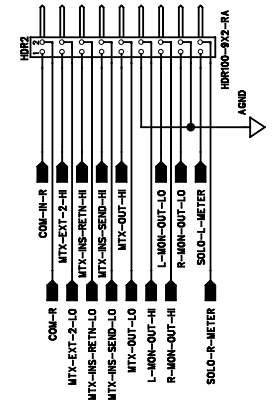
| | |
|-------|---------|
| DATE: | MAR 98 |
| DATE: | |
| DATE: | 6/14/99 |
| DATE: | |

| REVISION RECORD | | |
|-----------------|------|-------------|
| REV | DATE | DESCRIPTION |
| | | |
| | | |
| | | |

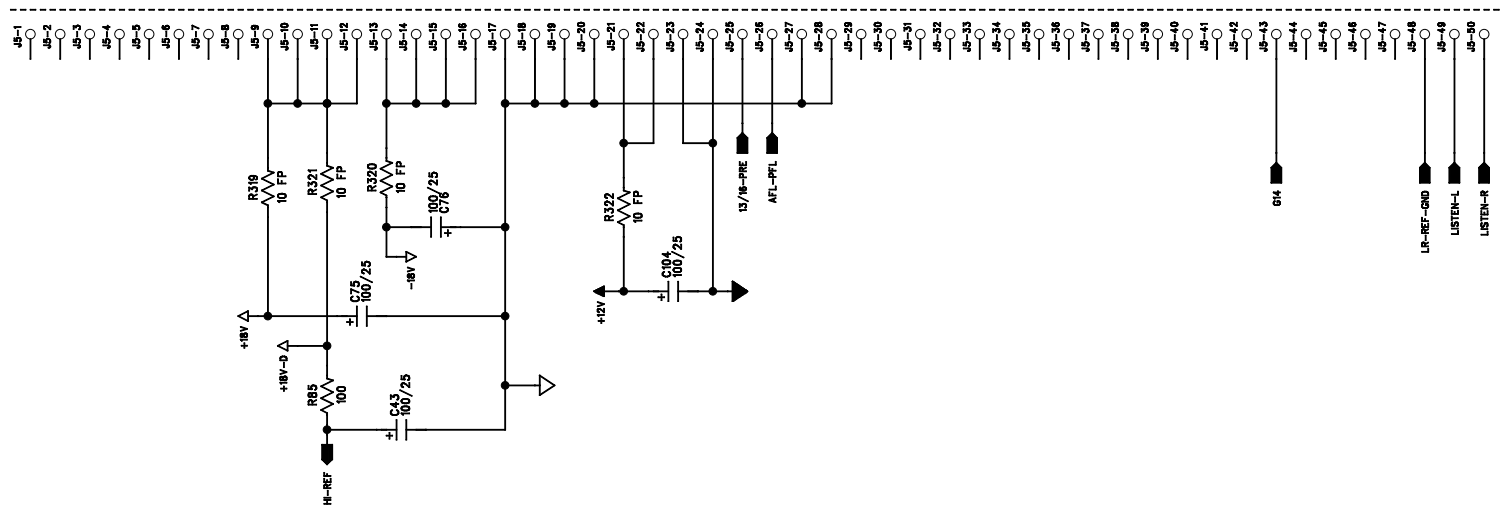
AUDIO TO BRIDGE CARD



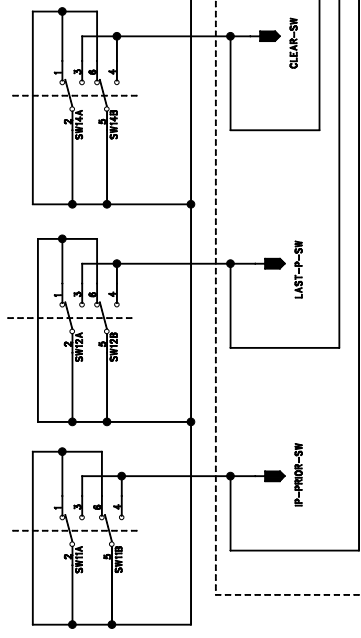
TO CONNECTOR CARD



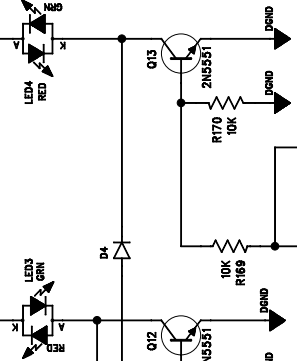
50W BUS RIBBON



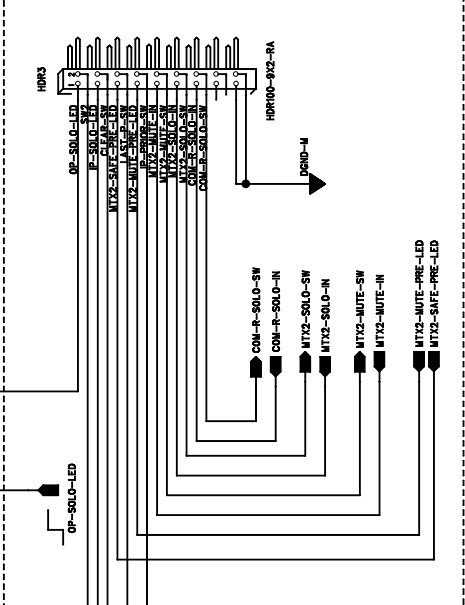
IP PRIORITY
LAST PRESSED
SOLO-CLEAR



OP SOLO

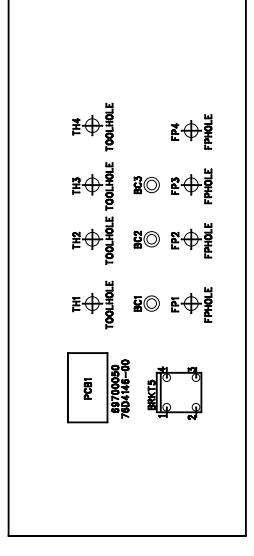


TO BRIDGE CARD



| REV LEVEL | ASMBLY LEVEL | DATE | ECO | ENG. | DESCRIPTION |
|-----------|--------------|----------|--------------------|------|--|
| A | A | | | RI | FIRST PROTO-BUILD |
| B | A | 5/17/99 | DC0976 | PSM | <ul style="list-style-type: none"> - CHANGED HF EQ SECTION TO OPERATE PROPERLY AS A NON-INVERTING STAGE - USED THE LR-REF-GND FOR THE SOLO MIX AMP. - CHANGED THE MATRIX MIX AMP TO USE A TRANSISTOR FRONT END. - THIS OPERATES AS A PSEUDO BALANCED STAGE FEEDING THE BASES - CHANGED HDR3 FROM 7X2 TO 9X2 HEADER TO INCLUDE DGND-M. - MOVED R-PRE-EQ ON HDR1 FROM PIN 15 TO PIN 14. - GATE SWAPS WITH U5 AND U8 TO IMPROVE TRACKING OF MATRIX SECTION. - HMF EQ CHANGES. C72: 3N9 TO 5N6, C69: 1N5 TO 2N2. - INCREASED GAIN IN SOLO FADERS. R77 & R68: 15K TO 18K2. |
| B | B | 6/11/99 | DC01004 DC01009 | PSM | <ul style="list-style-type: none"> - IMPROVE CROSSTALK BY CHANGING R113 AND R114 FROM 10K TO 5K (SOLO SUM TO MONO CIRCUIT) - RETRACK U9B TO KEEP COMMON RTN RIGHT FROM LEAKING INTO MATRIX - CHANGE SW14 FROM MOM YELLOW TO MOM RED. - MUTE TRIMS. R22: 2K0 TO 4K99, R21, 475R TO 274R, R119: 2K0 TO 1K0 - R204: 274R TO 221R, R80: 2K0 TO 324R, R12: 274R TO 324R - COMMON RTN RIGHT GAIN CHANGE. R163: 3K TO 10K, R121: 10K TO 20K |
| 00 | A | 6/14/99 | ECO3428 | PSM | <ul style="list-style-type: none"> - RAMP AFL/PFL CMD. C67: U1/CZAM TO 4U7/35V. DELETE R184, - ADD R15: 1K0 TO EMITTER OF Q15. - RAMP 13/16-PRE CMMD. - LINK MONITOR MUTE WITH SOLO COMMANDS. (INCLUDE DEFEAT OPTION) - REDUCE SOLO BLEED BY CHANGING R31, R33, R36-37: 10K0 TO 4K99. - REMOVE SOCKETS. - MUTE TRIMS: R21=221R, R22=1K0, R199=825R, R112=475R |
| 00 | B | 10/19/00 | ECO 4087 | TAZ | <ul style="list-style-type: none"> - INCREASE CURRENT LIMIT ON AFL/PFL BUS. ON LARGE FRAME CONSOLES - THE AFL/PFL CONTROL IS INTERMITTENT/OR NOT WORKING. - CHANGE R15 FROM 1K0 TO 475R |

REVISION RECORD



COMPANY: **CRESTAUDIO**

TITLE: **XMONITOR MASTER 2 MAIN PCB**

DATE: **MAR 98**

CHECKED: **RI**

CORRECTION: **PSM**

DATE: **6/14/99**

SCALE: **3 OF 3**

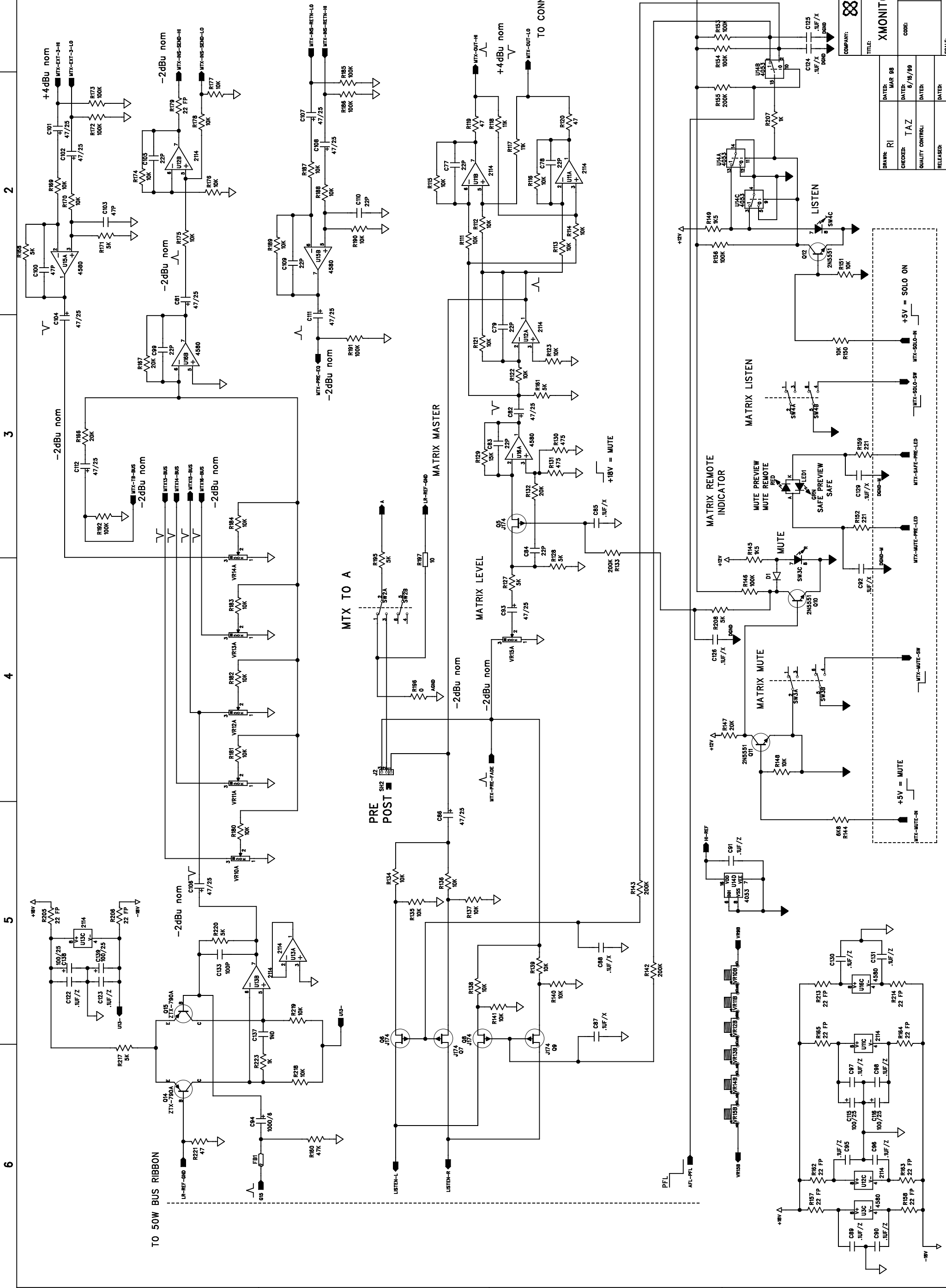
DRAWING NO: **76D4146**

FILE NAME: **XMMS2MNO.SCH**

SIZE: **D**

REV: **00**

| REVISION RECORD | | |
|-----------------|---------|-----------------|
| LTR | ECO NO. | APPROVED / DATE |
| | | |
| | | |
| | | |



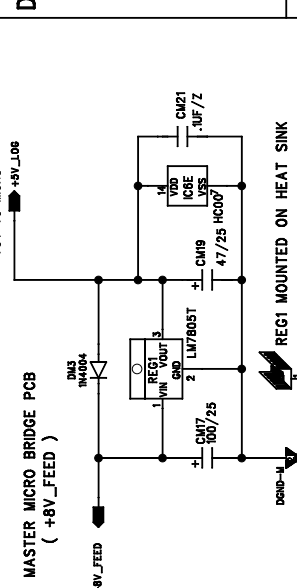
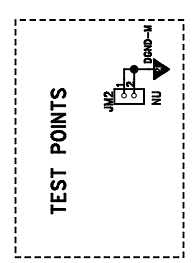
CRESTAUDIO

XMONITOR MASTER 3 MAIN PCB

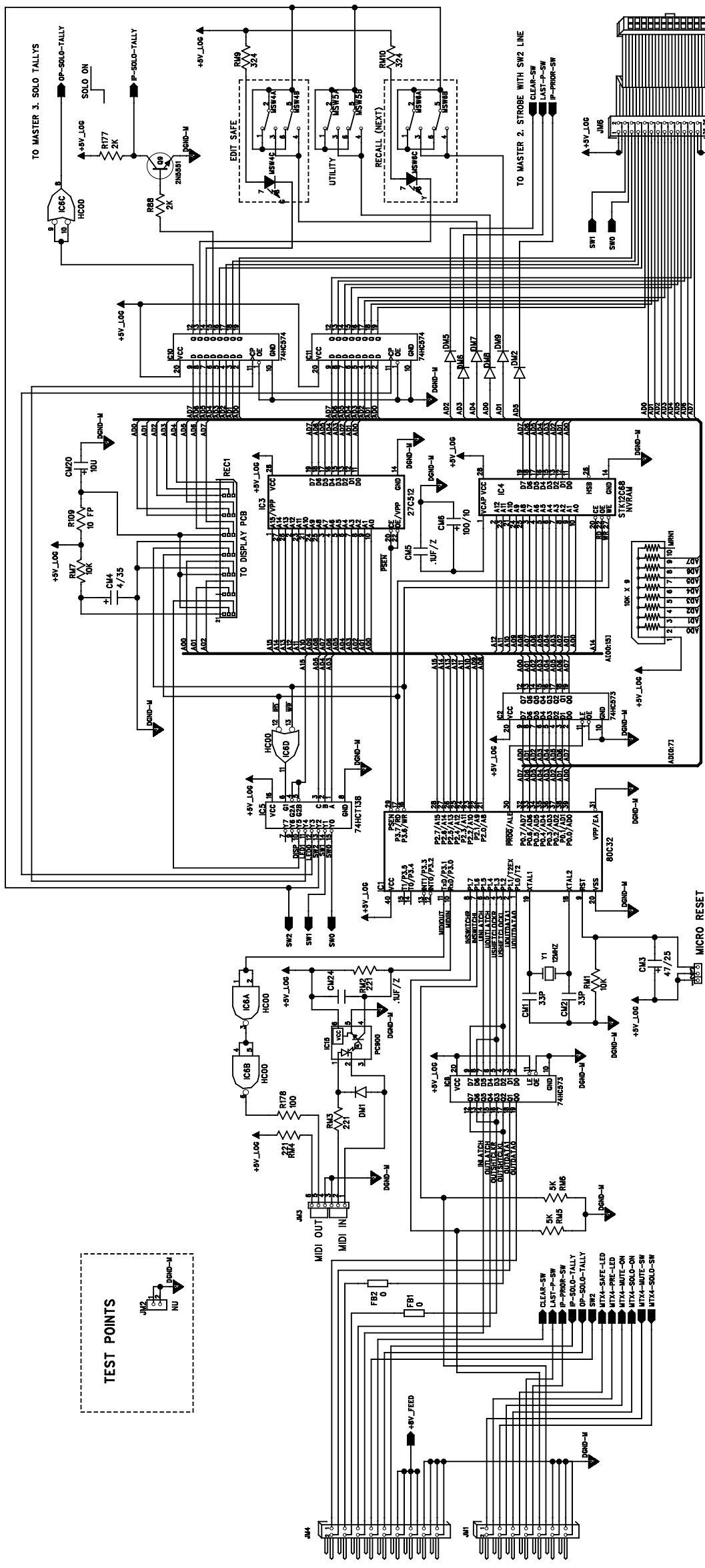
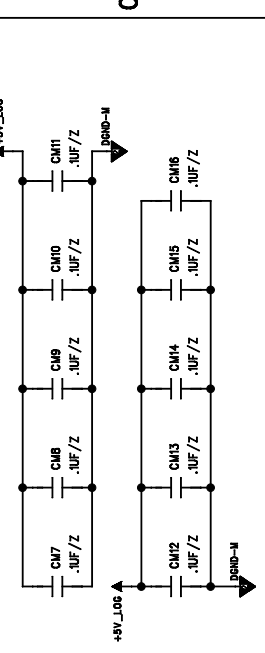
COMPANY: XMONITOR MASTER 3 MAIN PCB
 TITLE: XMONITOR MASTER 3 MAIN PCB
 DRAWING NO: 76D4147
 FILE NAME: XMMS3MNO.SCH
 SCALE: 1 OF 3

| | |
|------------------|---------------|
| DRAWN: RI | DATE: MAR 98 |
| CHECKED: TAZ | DATE: 6/18/99 |
| QUALITY CONTROL: | DATE: |
| RELEASED: | DATE: |

| LTR. | ECO NO. | APPROVED | DATE |
|------|---------|----------|------|
| | | | |
| | | | |
| | | | |



REC1 MOUNTED ON HEAT SINK

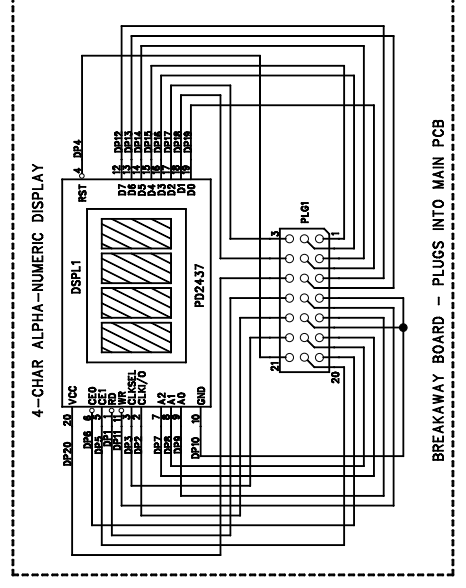


TO MASTER 3

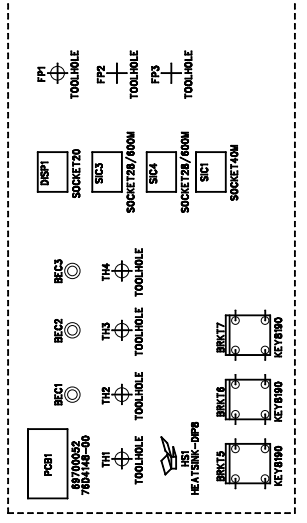
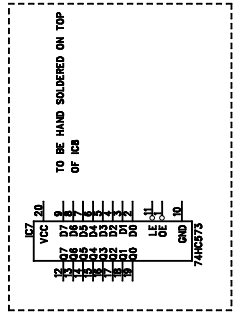
TO MASTER 2

TO MASTER 1

| REV LEVEL | ASMBLY LEVEL | DATE | ECO | ENG. | DESCRIPTION |
|-----------|--------------|----------|---------|------|---|
| A | A | | | RI | PROTOTYPE PCB |
| B | A | 5/21/99 | DC0982 | TAZ | PCB REVISION A TO B CHANGE OF MIX AMP TOPOLOGY IMPROVEMENT OF MTX X-TALK'S BY ADDING U14 CHANGED SWITCH MAP OF MSW4 TO AVOID CONFLICT INVERTED IP AND OP SOLO TALLIES CHANGED MIDI CON TO 6WAY R/Y AND ADDED BUILD OUT RESISTOR (R178). MUTE TRIM CHANGE R21 FROM 2K TO 475R. MANUALLY MODIFY HF OF EQ SO THAT PINS AND PIN1 OF VRT ARE SWAPPED (CUT/BOOST REVERSED) |
| B | B | 6/4/99 | DC0999 | TAZ | PCB REVISION B TO 00 - TO CORRECT ABOVE MOD |
| 00 | A | 6/4/99 | ECO3418 | TAZ | - CHANGED R181 (10K TO 4K99) OF THE G16 MIX AMP TO REDUCE COMMON MODE DC AT THE INPUTS OF THE OP-AMP. |
| 00 | B | 7/16/99 | 3518 | PSM | - PROBLEMS WITH MICRO COMMUNICATION ON NEW LARGE FRAME SIZES (64) CHANGED FB1 AND FB2 FROM FERRITE BEADS TO OR RESISTORS. |
| 00 | C | 7/05/00 | 3975 | TAZ | - PROBLEMS WITH MICRO COMMUNICATION ON NEW LARGE FRAME SIZES (64) ADDED IC7. |
| 00 | C | 11/28/00 | 4129 | TAZ | |



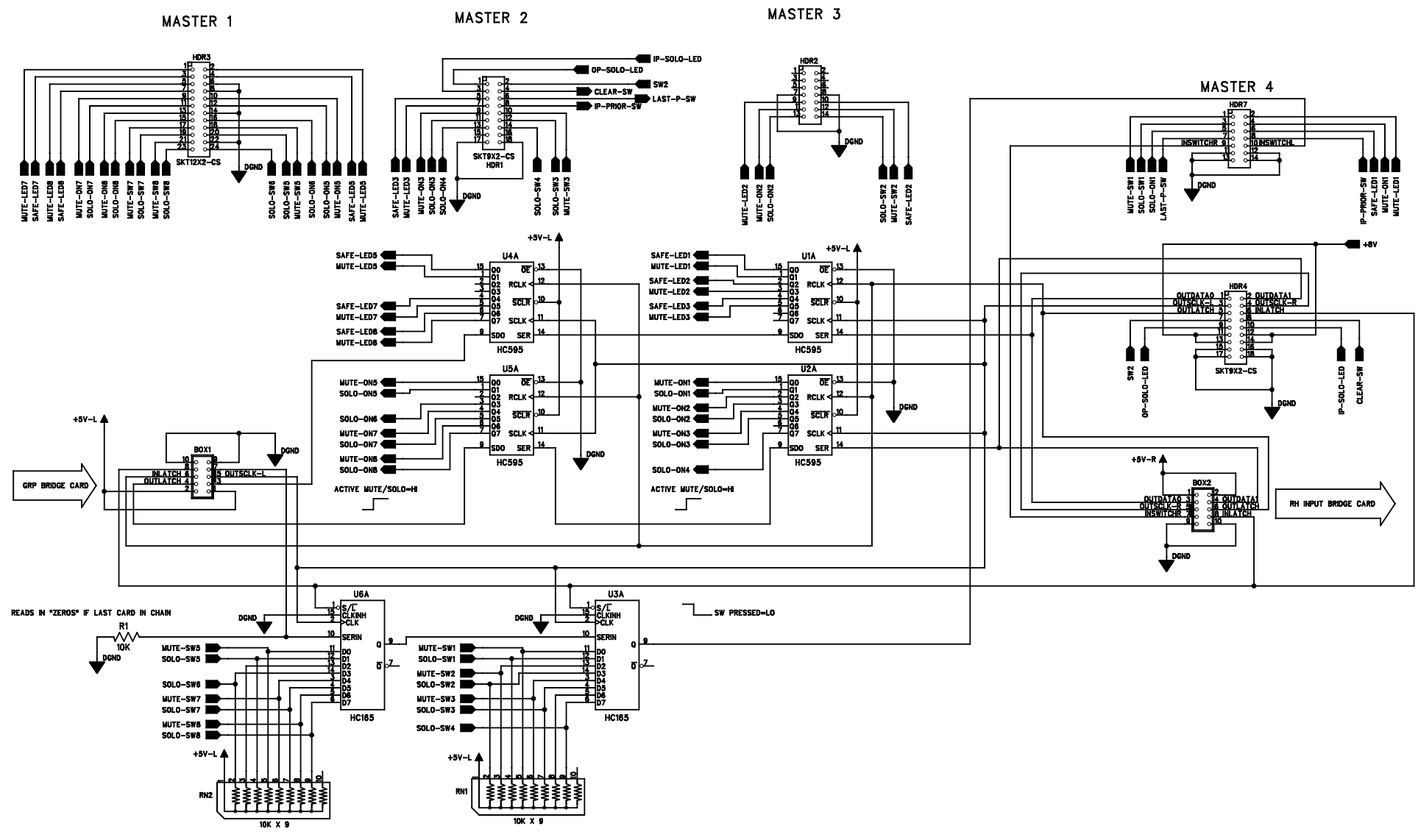
BREAKAWAY BOARD - PLUGS INTO MAIN PCB



COMPANY: CRESTAUDIO

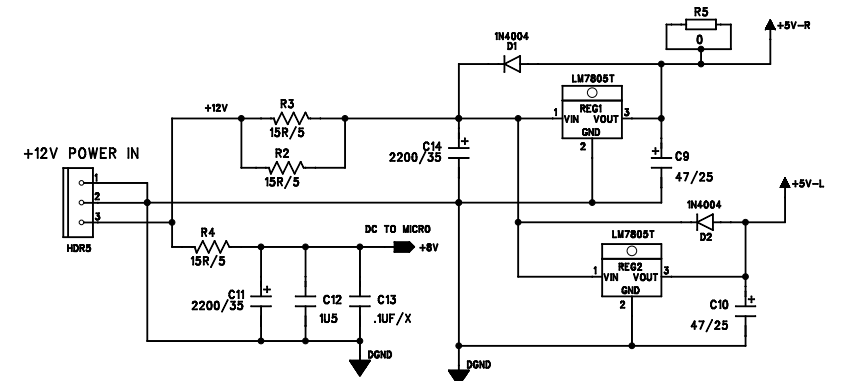
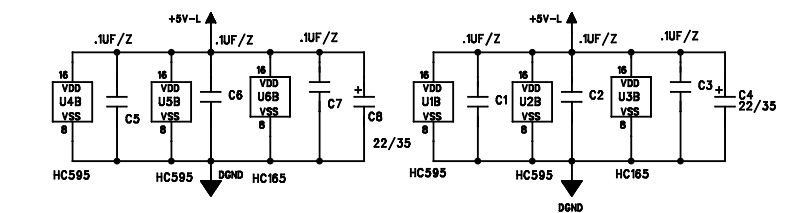
| | | | |
|-----------------------------------|-------------------------|-------------------------|---------------|
| DATE: 7 SEPT 98 | DATE: JUN 99 | DATE: JUN 99 | DATE: JUN 99 |
| REV: 00 | DRAWING NUMBER: 76D4148 | FILE NAME: XMMS4MNO.SCH | SHEET: 3 OF 3 |
| SIZE: D | CODE: JP | RELEASED: | |
| TITLE: XMONITOR MASTER 4 MAIN PCB | | | |

| REVISION RECORD | | | |
|-----------------|---------|-----------|-------|
| LTR | ECO NO. | APPROVED: | DATE: |
| | | | |
| | | | |
| | | | |

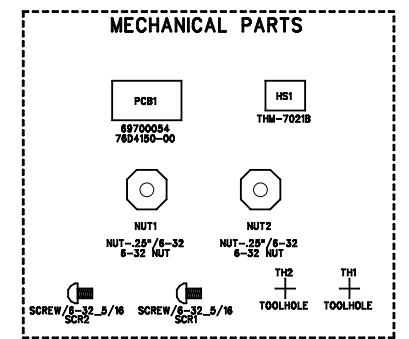


THE NUMBERS ON SIGNALS GOING TO MASTER BOARDS REFER TO THE FOLLOWING SIGNALS:

- 1 = MTX4 -- OUTPUT SOLO CMDS
- 2 = MTX3 -- OUTPUT SOLO CMDS
- 3 = MTX2 -- OUTPUT SOLO CMDS
- 4 = COM RETN R -- INPUT SOLO CMDS
- 5 = MTX1 -- OUTPUT SOLO CMDS
- 6 = COM RETN L -- INPUT SOLO CMDS
- 7 = LEFT -- OUTPUT SOLO CMDS
- 8 = RIGHT -- OUTPUT SOLO CMDS



| REVISION RECORD | | | | | |
|-----------------|--------------|---------|----------|------|--|
| REV LEVEL | ASMBLY LEVEL | DATE | ECO | ENG. | DESCRIPTION |
| A | A | | | RI | PROTOTYPE RELEASE |
| B | A | 5/20/99 | DC0981 | PSM | - CHANGED HDR1 FROM 7X2 TO 9X2 HEADER. (ADDED DGND TO MASTER 2) - SWAPPED DGND AND +8V PINS ON HDR 4 (TO MATCH MASTER 4) - CHANGED ALL "PRE-LED" SIGNALS TO "MUTE LED" SIGNALS EXAMPLE: PRE-LED7 --> MUTE-LED7 - CHANGED ALL "PRE-LED" SIGNALS TO "MUTE LED" SIGNALS - CHANGED HDR2 PIN9 FROM "SAFE-LED2" TO MUTE-LED2" - CHANGED HDR2 PIN 10 FROM "PRE-LED2" TO "SAFE-LED2" |
| 00 | A | 6/16/99 | ECO 3442 | PSM | - ROTATED BOX 2 10-WAY BOX HEADER FOR PROPER RIBBON LEAD-IN. |



COMPANY: **CREST AUDIO**

TITLE: **XMONITOR MASTER MODULE
MICRO BRIDGE BOARD- 4 CHANNELS**

| | | | | |
|----------------------|----------------|---------|---|---------|
| ORG DRAWN: RI | DATED: 9/98 | CODE: D | SIZE: DRAWING NO: 76D4150 FILE NAME: XMMSBRO.SCH | REV: 00 |
| CHECKED: PSM | DATED: 6/16/99 | | | |
| CUR REV DRAWING: PSM | DATED: 6/16/99 | | | |
| RELEASED: | DATED: | | | |

SCALE:

6

5

4

3

2

1

| REVISION RECORD | | |
|-----------------|-----------|-------|
| ECO NO: | APPROVED: | DATE: |
| | | |
| | | |
| | | |

D

C

B

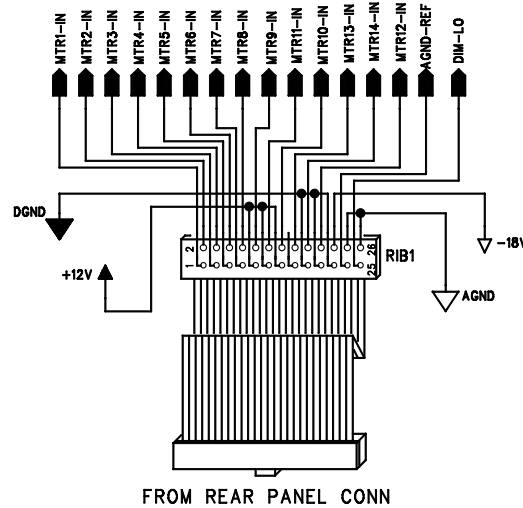
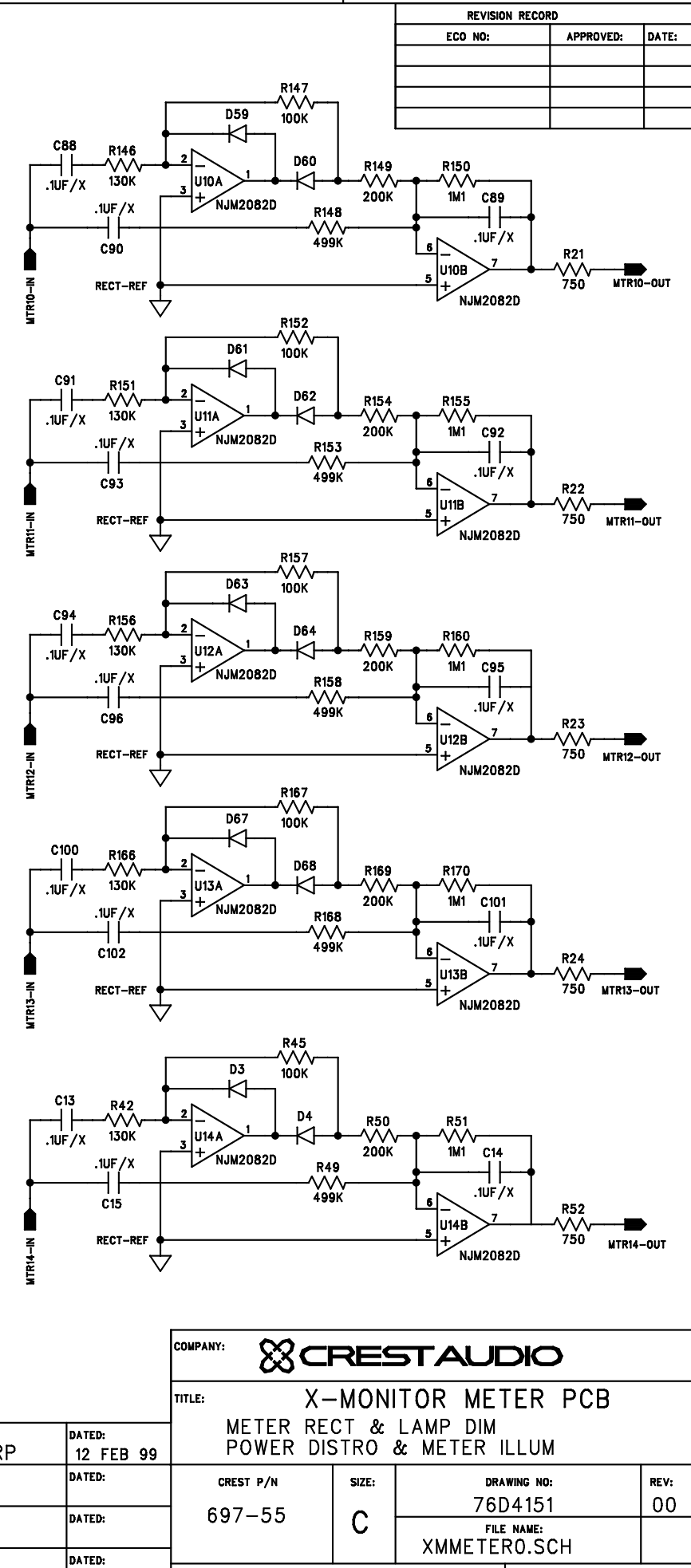
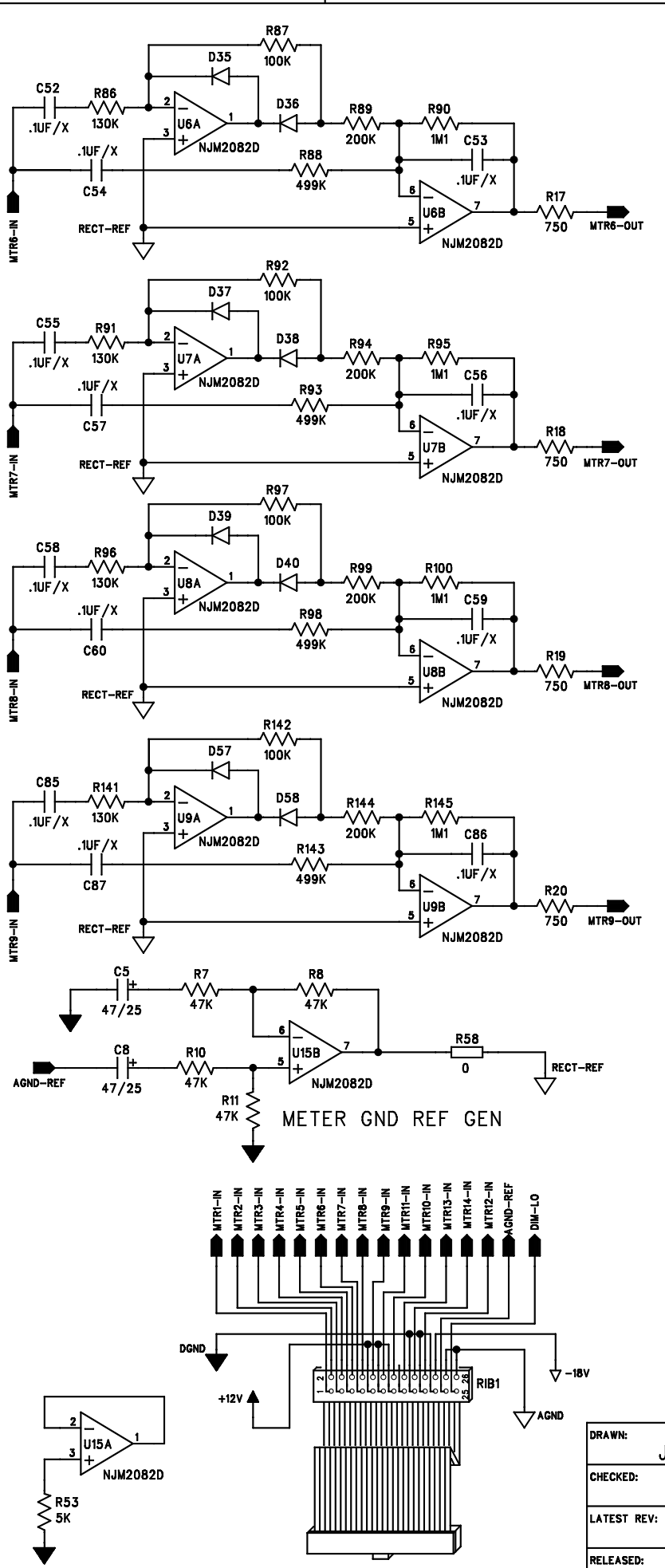
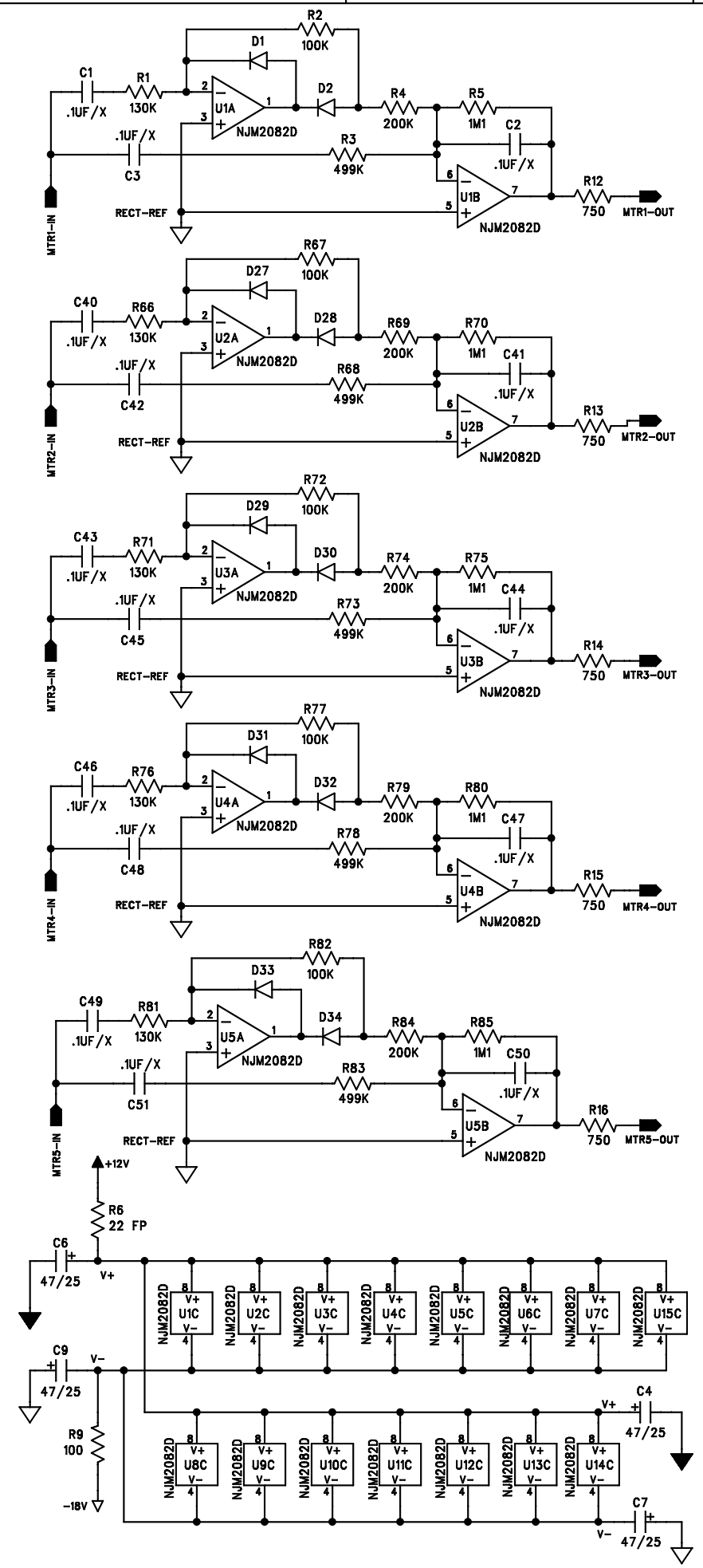
A

D

C

B

A



COMPANY: **CREST AUDIO**

TITLE: **X-MONITOR METER PCB**
METER RECT & LAMP DIM
POWER DISTRO & METER ILLUM

| | | | | | |
|-------------|------------------|-------------------------|---------|---------------------|---------|
| DRAWN: JRP | DATED: 12 FEB 99 | CREST P/N: 697-55 | SIZE: C | DRAWING NO: 76D4151 | REV: 00 |
| CHECKED: | DATED: | FILE NAME: XMMETER0.SCH | | SHEET: 1 OF 2 | |
| LATEST REV: | DATED: | SCALE: | | | |
| RELEASED: | DATED: | SHEET: 1 OF 2 | | | |

| | |
|-------------|------------------|
| DRAWN: JRP | DATED: 12 FEB 99 |
| CHECKED: | DATED: |
| LATEST REV: | DATED: |
| RELEASED: | DATED: |

6

5

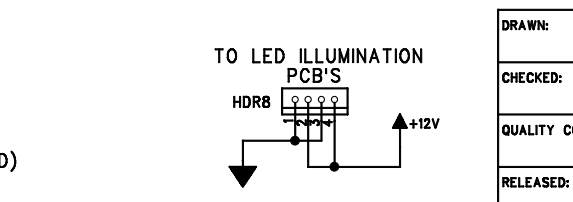
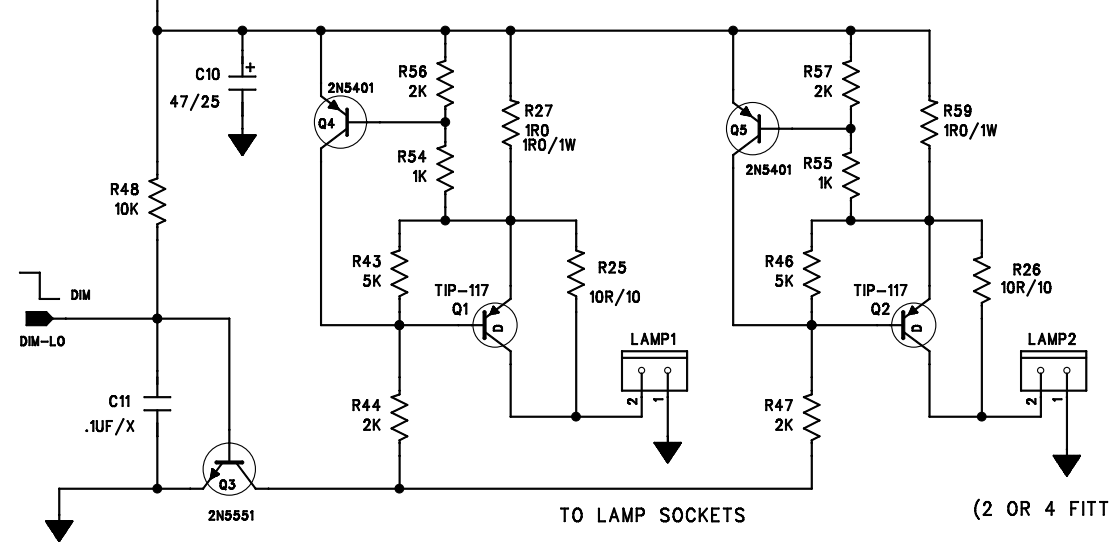
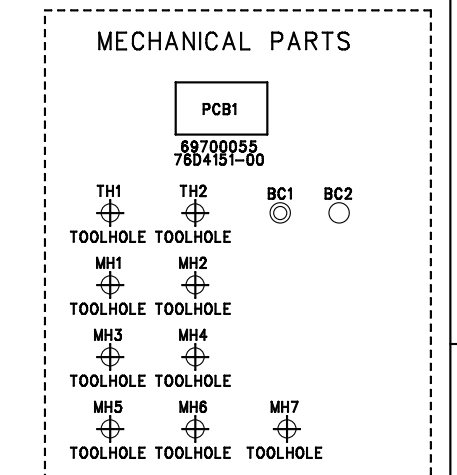
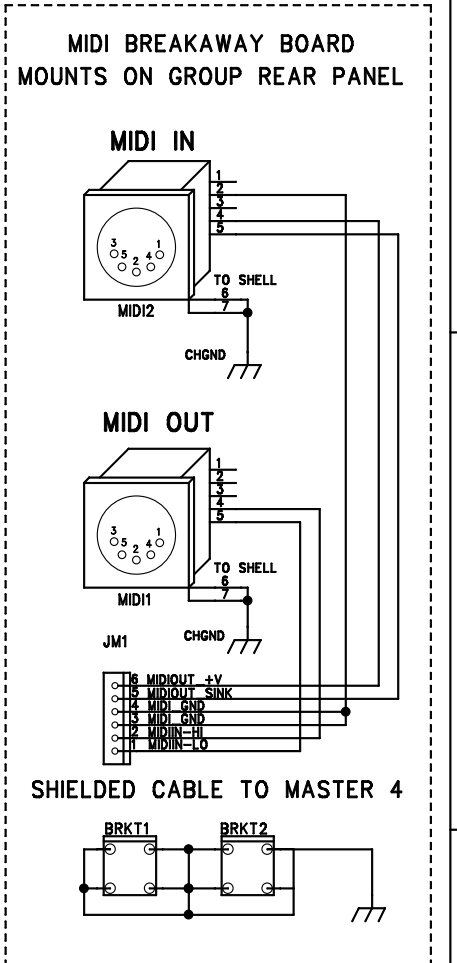
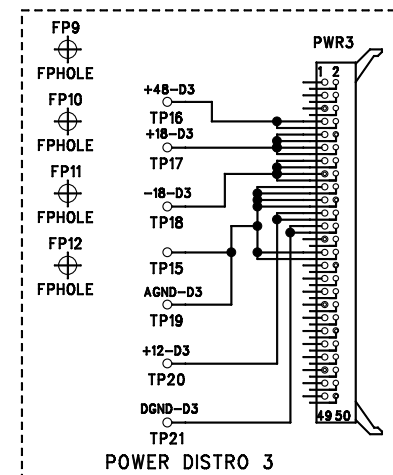
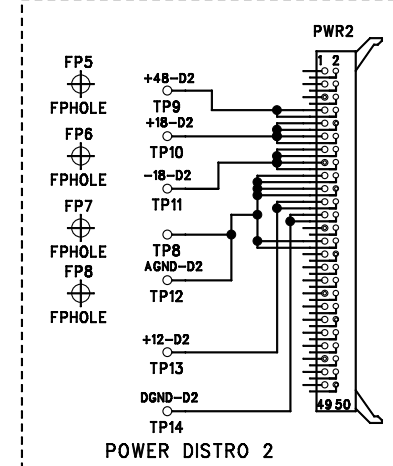
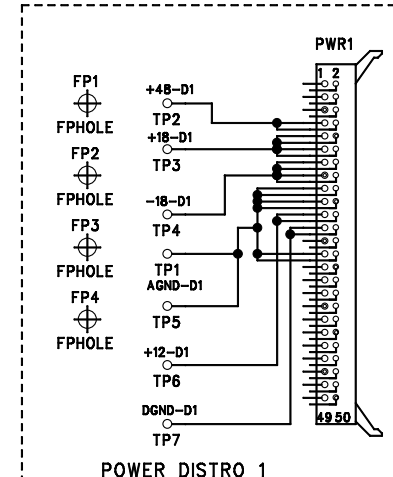
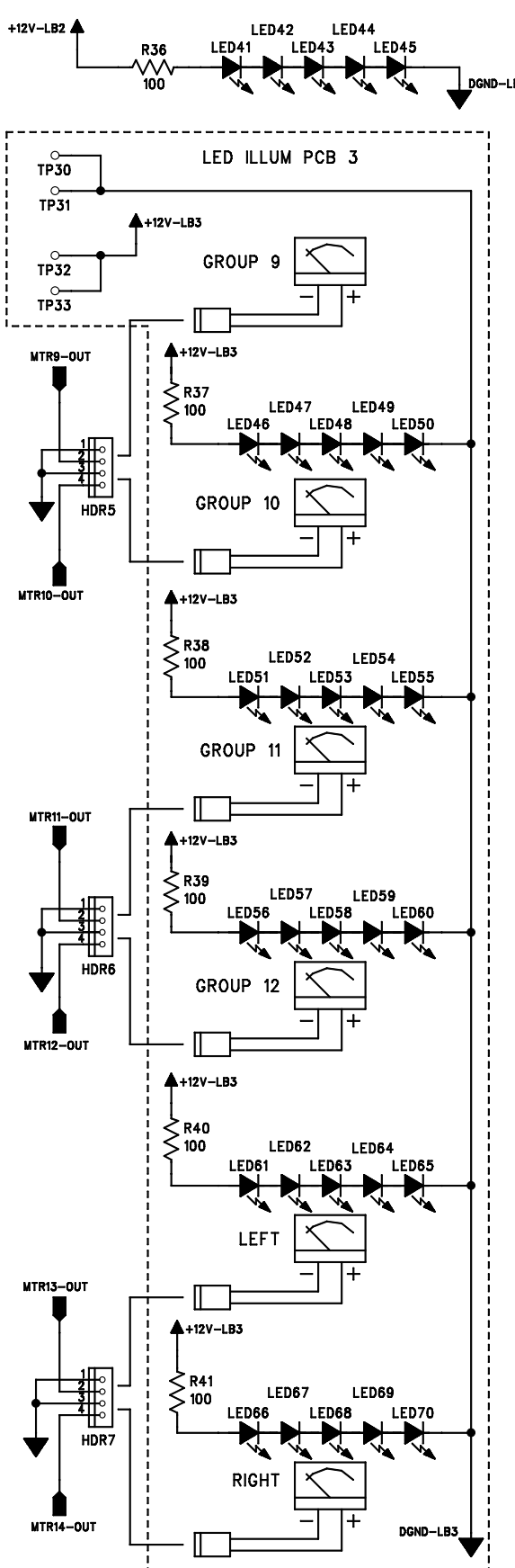
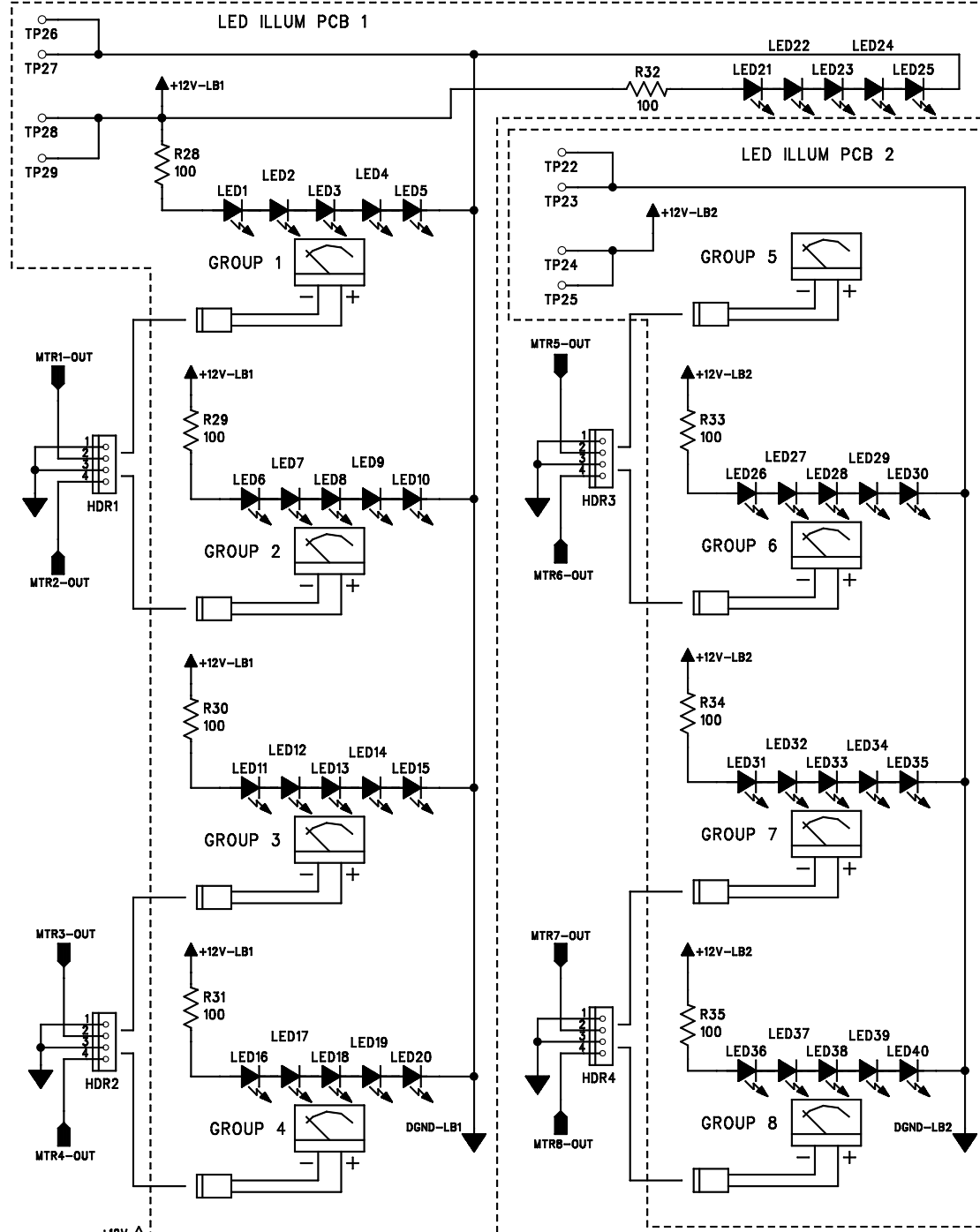
4

3

2

1

| REVISION RECORD | | | |
|-----------------|---------|-----------|-------|
| LTR | ECO NO: | APPROVED: | DATE: |
| | | | |
| | | | |
| | | | |



COMPANY: **CREST AUDIO**

TITLE: **X-MON METER RECT & LAMP DIM PCB PLUS POWER Distro & METER ILLUM**

| | | | | | |
|------------------|------------------|-------------------------|---------|---------------------|---------|
| DRAWN: JRP | DATED: 12 FEB 99 | CODE: 697-55 | SIZE: C | DRAWING NO: 76D4151 | REV: 00 |
| CHECKED: | DATED: | FILE NAME: XMMETER0.SCH | | SHEET: 1 OF 2 | |
| QUALITY CONTROL: | DATED: | SCALE: | | | |
| RELEASED: | DATED: | | | | |

D

C

B

A

D

C

B

A